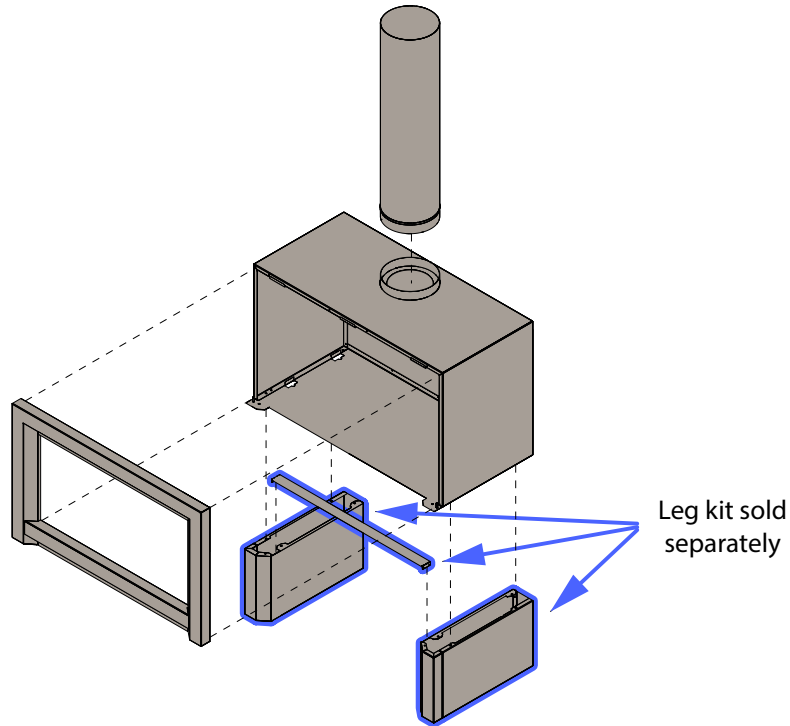
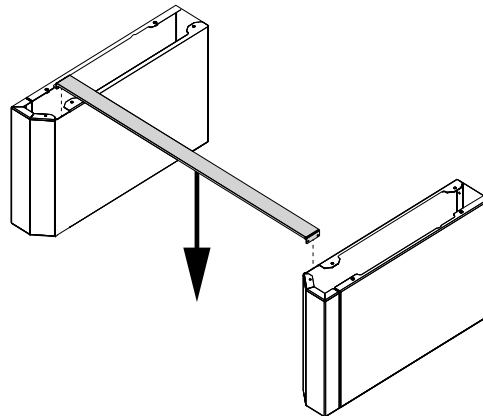


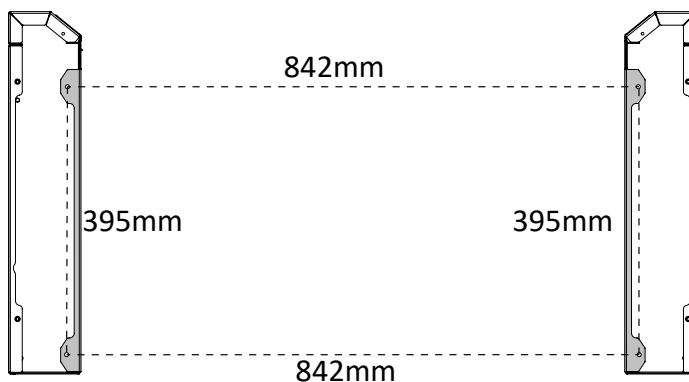
ALL WORK DETAILED IN THESE INSTRUCTIONS MUST BE PERFORMED BY A REGISTERED ELECTRICIAN



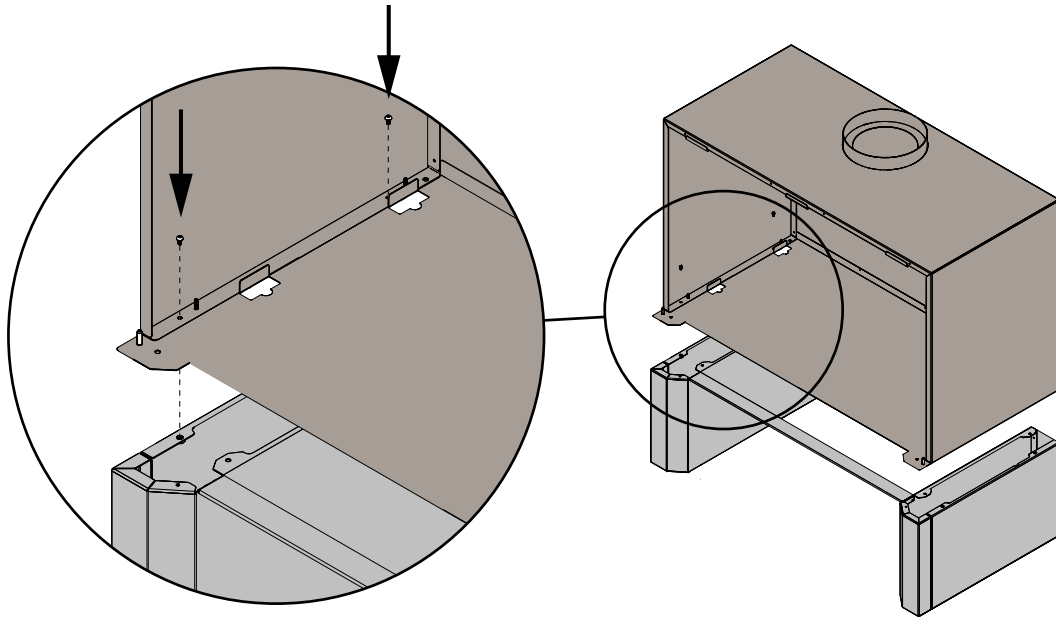
If you have purchased the Freestanding Unit leg kit, space out the legs using the supplied brace. Clip the leg brace over the edge of the legs in the inside front gap as shown below.



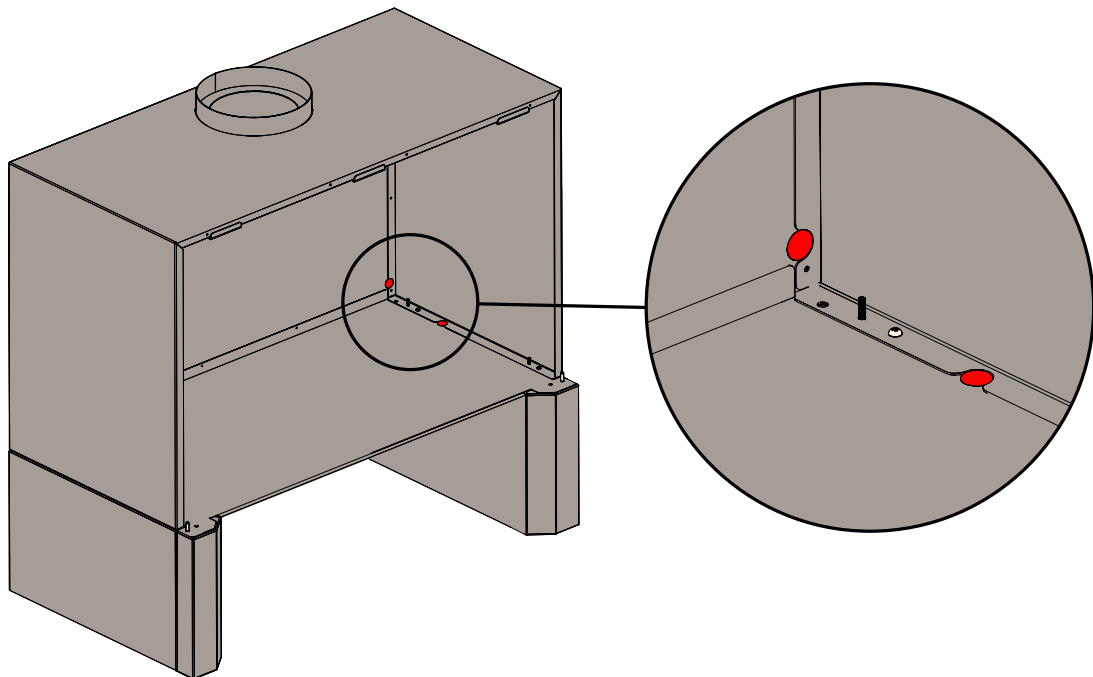
You can, at this point, fasten the legs to the ground using the hole centres below...



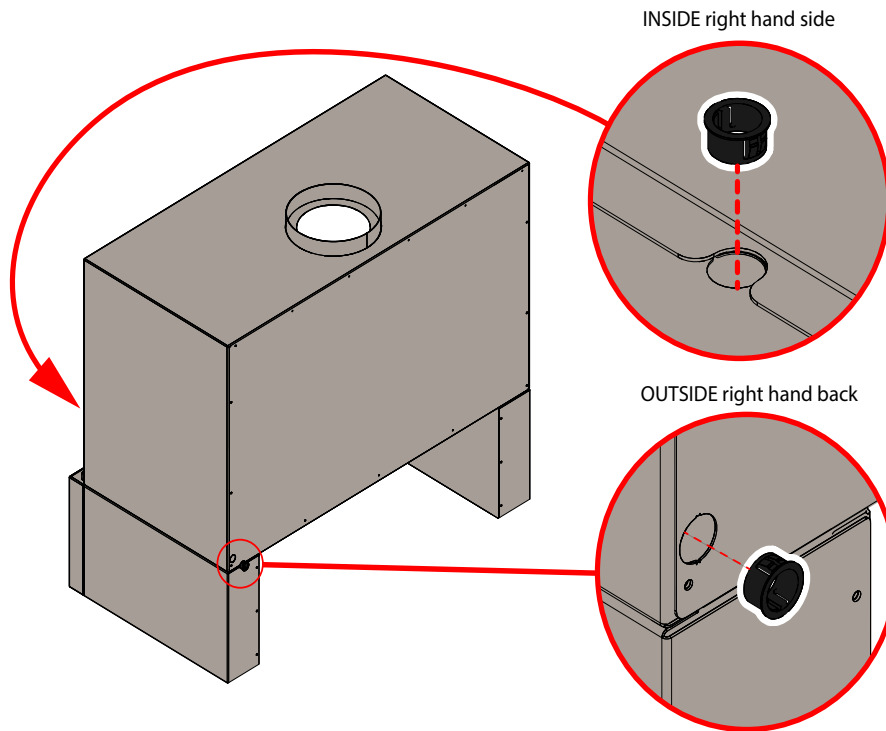
Lower the main body onto the feet, align and fasten using the 4× M5 screws provided (2 per leg). These are indicated below.



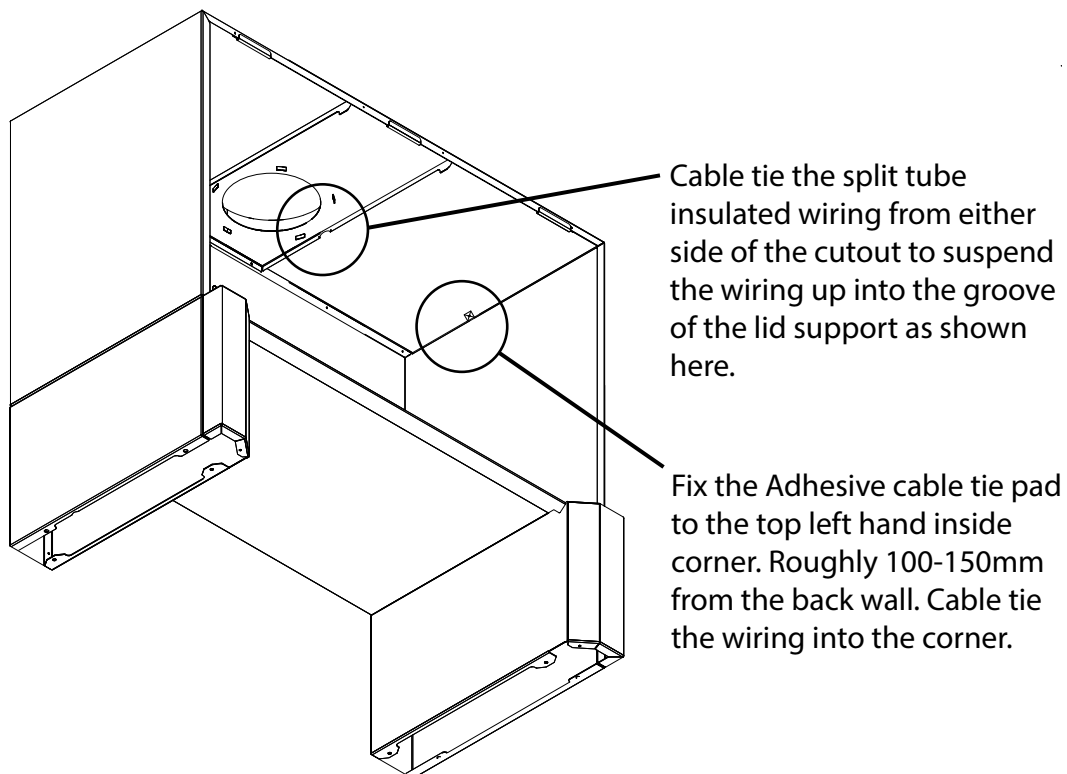
The electric cables can be run down through the “flue”, up the right leg, or through the back of the freestanding console into the LE800 electric fire.



Using a pair of long nose pliers twist out the knock-out from the chosen opening. Press in the supplied plastic plug.

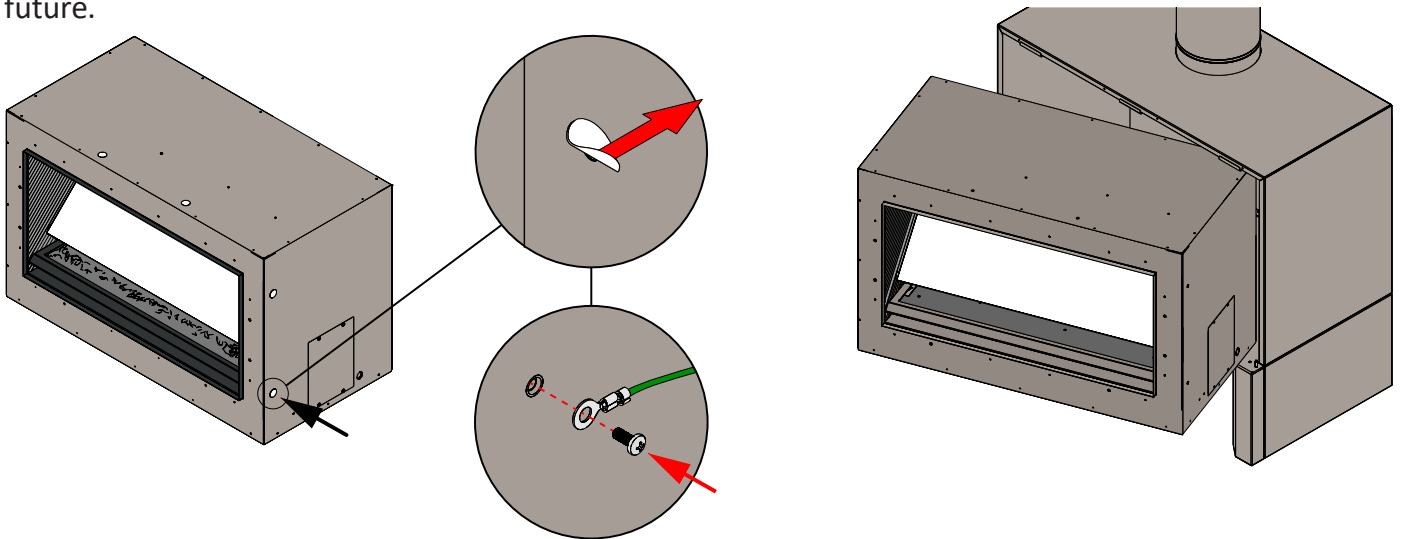


An alternative point of entry is down the flue pipe at the top. **Encase all wiring from the LE800 strain relief to 1 metre beyond the last flue liner in 13mm split loom tube (not supplied).**



Note: The wiring into the fireplace MUST be through the side entry of the fireplace. Do not wire through the back knockout on the fireplace. don't forget to fit the strain relief fitting to the fireplace entry point.

Electrical connections will have to be made before completely fitting the fireplace into the free standing console, including connecting the earth lead that is already attached to the right hand side of the console. Once the fireplace is wired up and the strain relief fitting tightened, insert it into the freestanding unit on an angle with the wiring end in first. Carefully pull back any excess cable slack as the fireplace is pushed back. Leave a suitable length of slack up the SIDE to allow for removal in the future.



Centre the fireplace by pushing it up to the left hand tabs on the freestander base, and against the back of the console.

Ensure the LE800 fireplace trims are not fitted to the 4 front edges of the fireplace. If they have been, then carefully remove them. Gently lower the fascia down onto the pins at the bottom, and the back edge of the fascia into the 3 hooks at the top. Once the fascia is firmly in place THEN you may install the inside trims to the fireplace to lock it into place.

