

ADHERE SERIAL LABEL

LE - Series

HOLOGRAPHIC ELECTRIC FIREPLACE

Installation & Service Instructions

LE-SERIES PRODUCT SPECIFICATION		
MODEL NAMES		LE800/LE1000 Electric Fire
Description of Appliance		Indoor Electric Heater
Max. Heat Output		3 kW
Compliant to		AS/NZS 60335.1 and AS/NZS 60335.2.30
LE800 Appliance Dimensions	Width	960 mm
	Height	601 mm
	Depth	492 mm (including standard 14 mm trim)
LE1000 Appliance Dimensions	Width	1160 mm
	Height	601 mm
	Depth	492 mm (including standard 14 mm trim)
Weight		70 kg
Max Power Consumption		3.45 kW @15A 230V ~ 50Hz
Remote control		Yes
Thermostat		Yes, via remote
Connections	Electrical Locations	Bottom RH side/ Bottom RH back
Data plate location		On wiring access hatch panel, above LCD assembly inside unit top panel

REMOTE CHARGER SPECIFICATION		
USE ONLY WITH USB-C CHARGER AND POWERED USB PORT		
Max		5 V, 2 W

CONTENTS

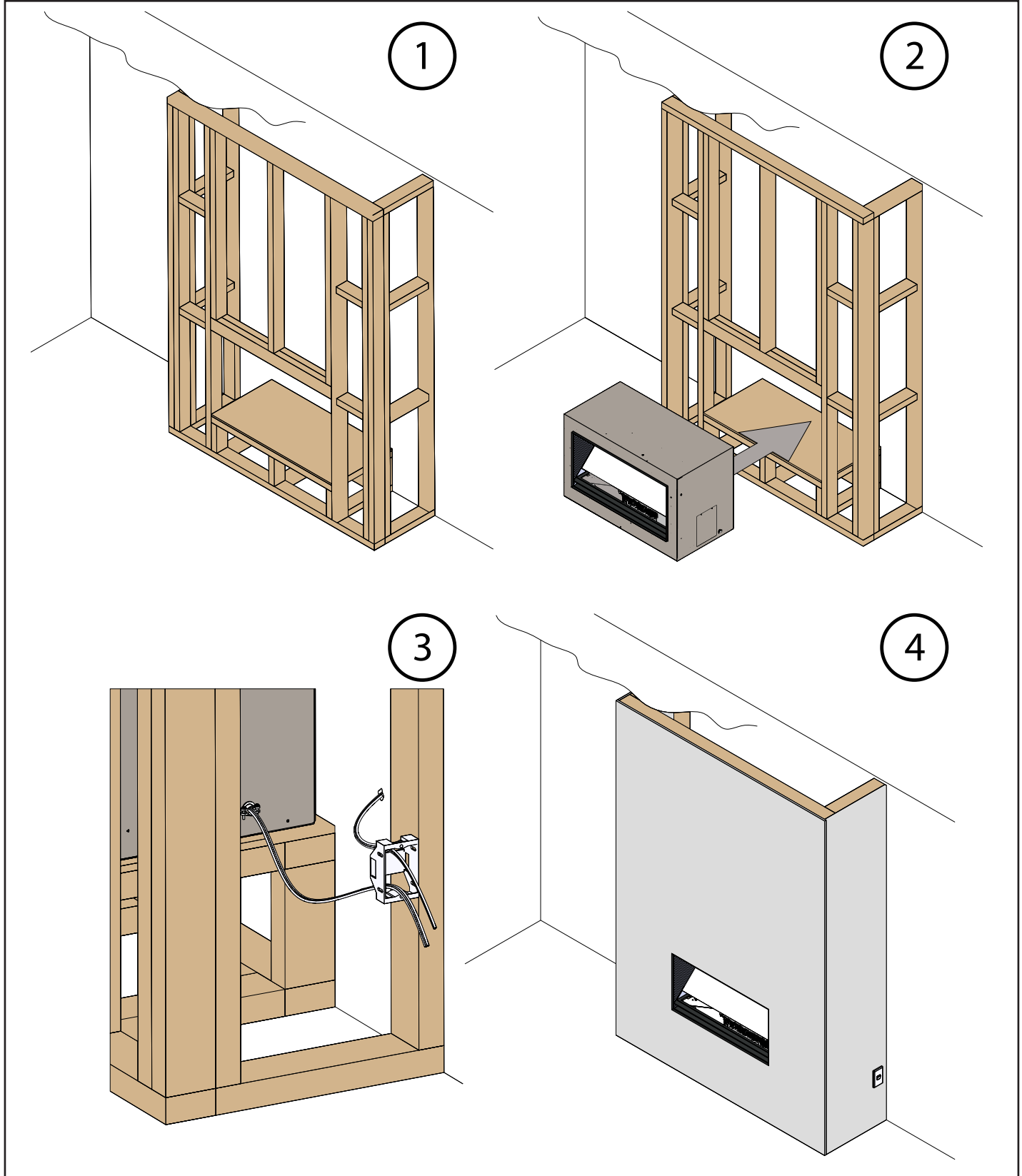
A Installation Process	5
A1 Installation Process	5
B Creating the Cavity	6
B1 Product and Framing Dimensions	6
B2 Cavity Clearances and Recommendations	7
B3 Fixing the Fireplace	7
C Connecting the Electricity	8
C1 Connecting the Power (Electrician Required)	8
C2 Switching to 1.5 kW (Optional)	9
D Finishing the built-in Installation	10
D1 Recommended Wall Lining Opening	10
E Freestanding Unit Installation	11
E1 Freestanding Unit: Product Dimensions	11
E2 Freestanding Unit: Assembly Overview	11
E3 Freestanding Unit: Leg Assembly	12
E4 Freestanding Unit: Running the Electrical Cables	13
E5 Freestanding Unit: Installing the Fireplace	14
E6 Freestanding Unit: Fitting the Console Fascia	15
F Finishing the installation	16
F1 Fuelbed and Log Setup	16
F2 Loose Embers (LE1000 Only) & Secondary Logs	17
F3 Fitting the Angled Glass	18
F4 Ember Guard Location (Optional)	19
F5 Fitting the Front Glass	19
F6 Fitting the Trims	20
F7 Checking the Setup	20
F8 Operating the Fireplace	21
F9 Normal Operating Sounds and Smells	21
G Service Manual	22
G1 Error Codes	22
G2 Troubleshooting	22
G3 Serial Number Location	22

G4	Removing/Cleaning the Glass	23
G5	Replacing the Fuelbed LEDs	24
G6	Cleaning/Replacing the LCD screen	25
G7	Replacing the LED Downlight	26
G8	Replacing the Transformer	27
G9	Replacing the PCB	27
G10	Replacing the Remote	27
G11	Replacing the Heating Element	28
G12	Cleaning/Replacing the Fan	30
G13	Replacing the Liners	31
G14	Wiring Diagram	31

A INSTALLATION PROCESS

FOR FURTHER ADVICE EMAIL: AA@ESCEA.COM

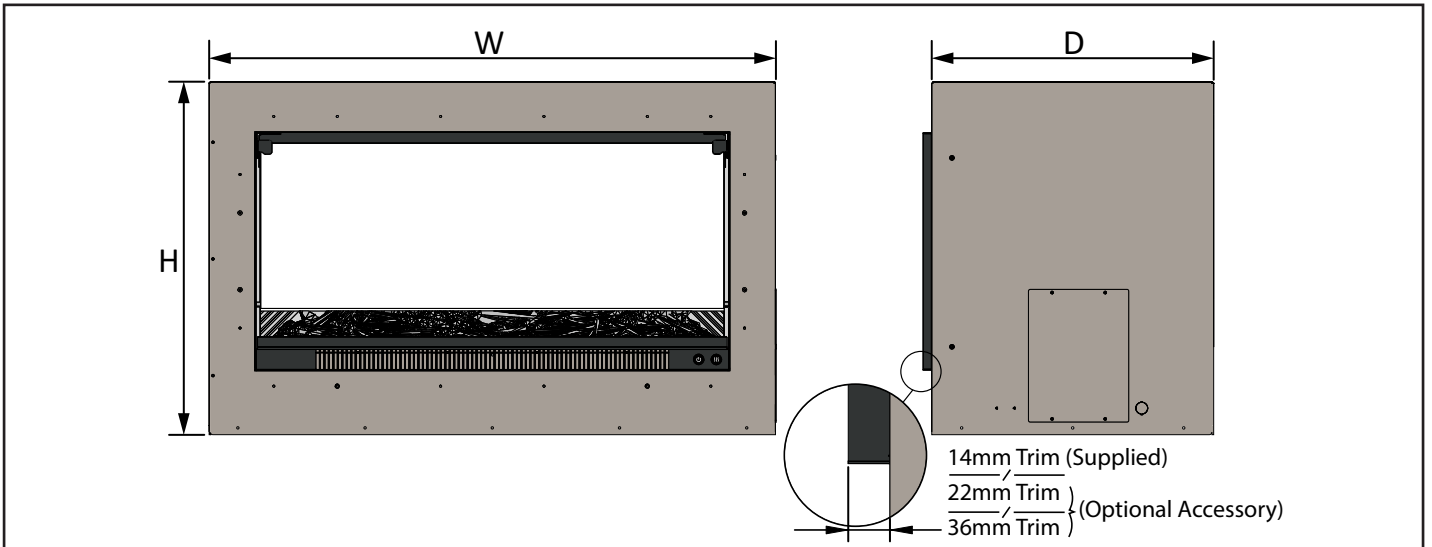
A1 Installation Process



B CREATING THE CAVITY

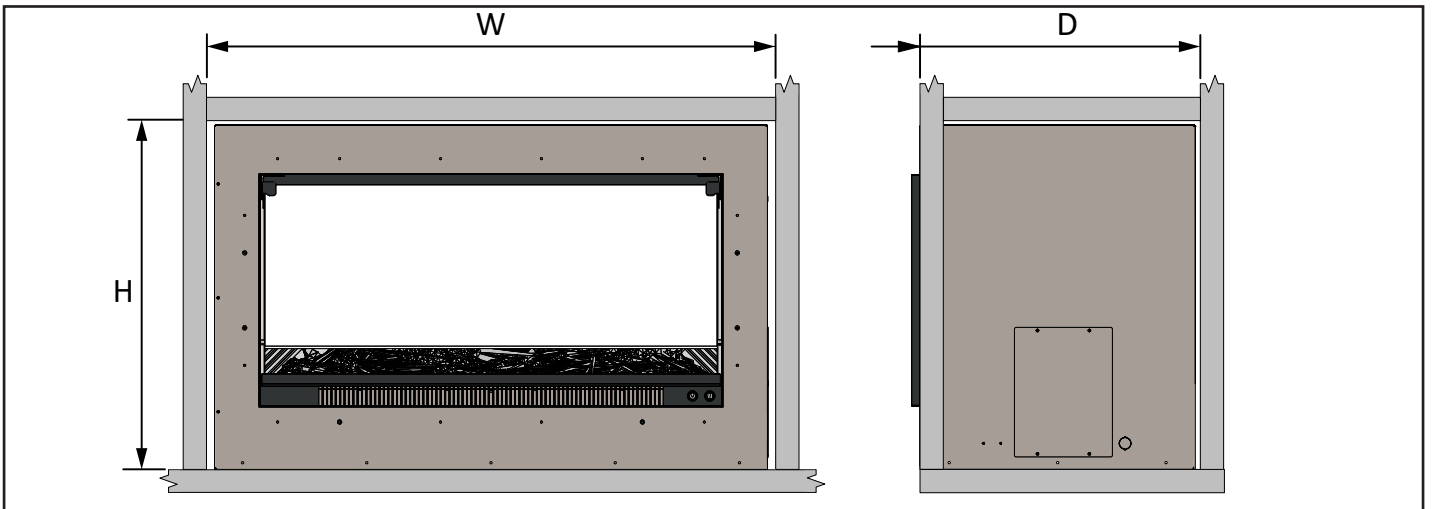
B1 Product and Framing Dimensions

Product Dimensions



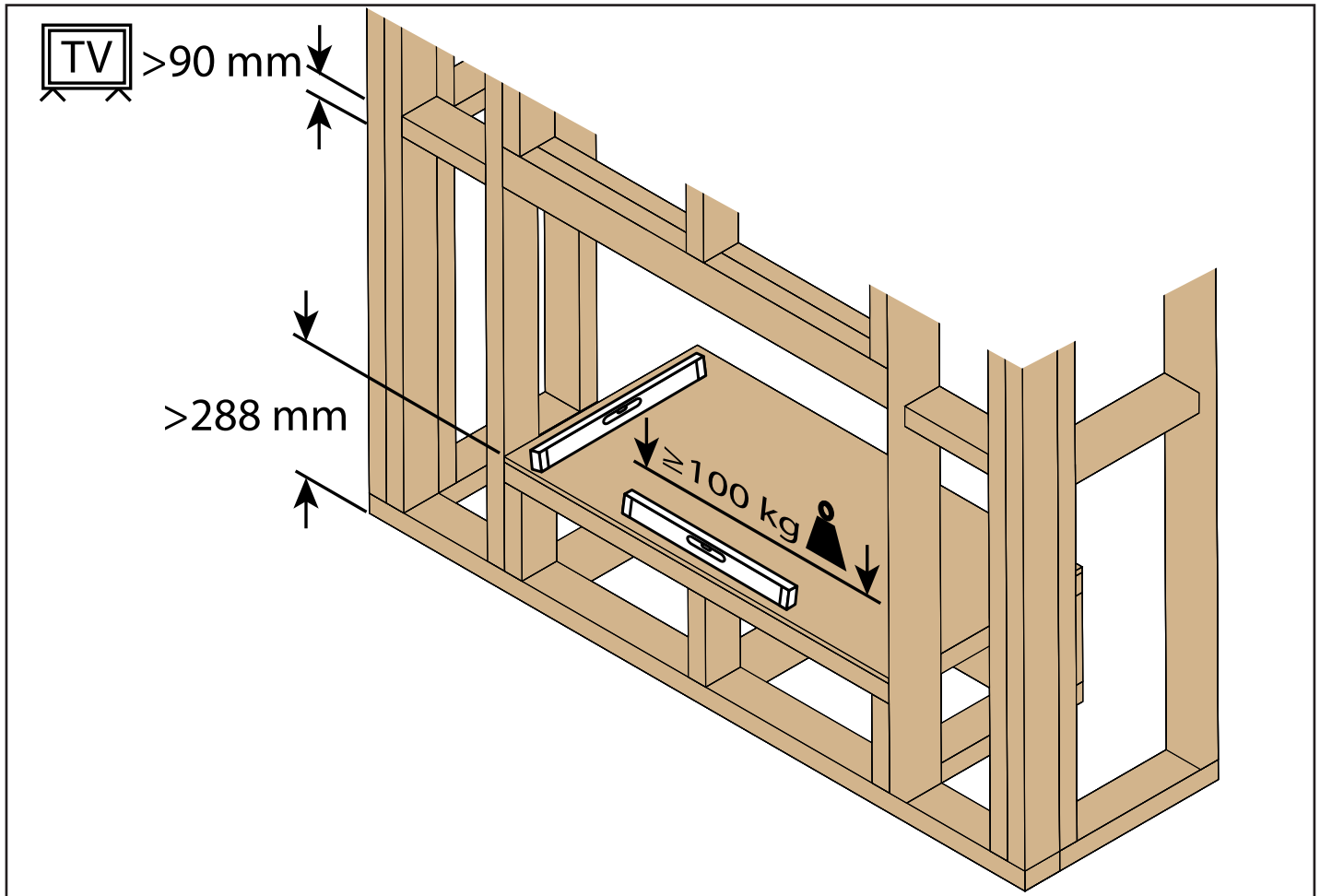
Model	W (mm)	H (mm)	D (mm)
LE800	960	601	478
LE1000	1160		

Minimum Framing Dimensions

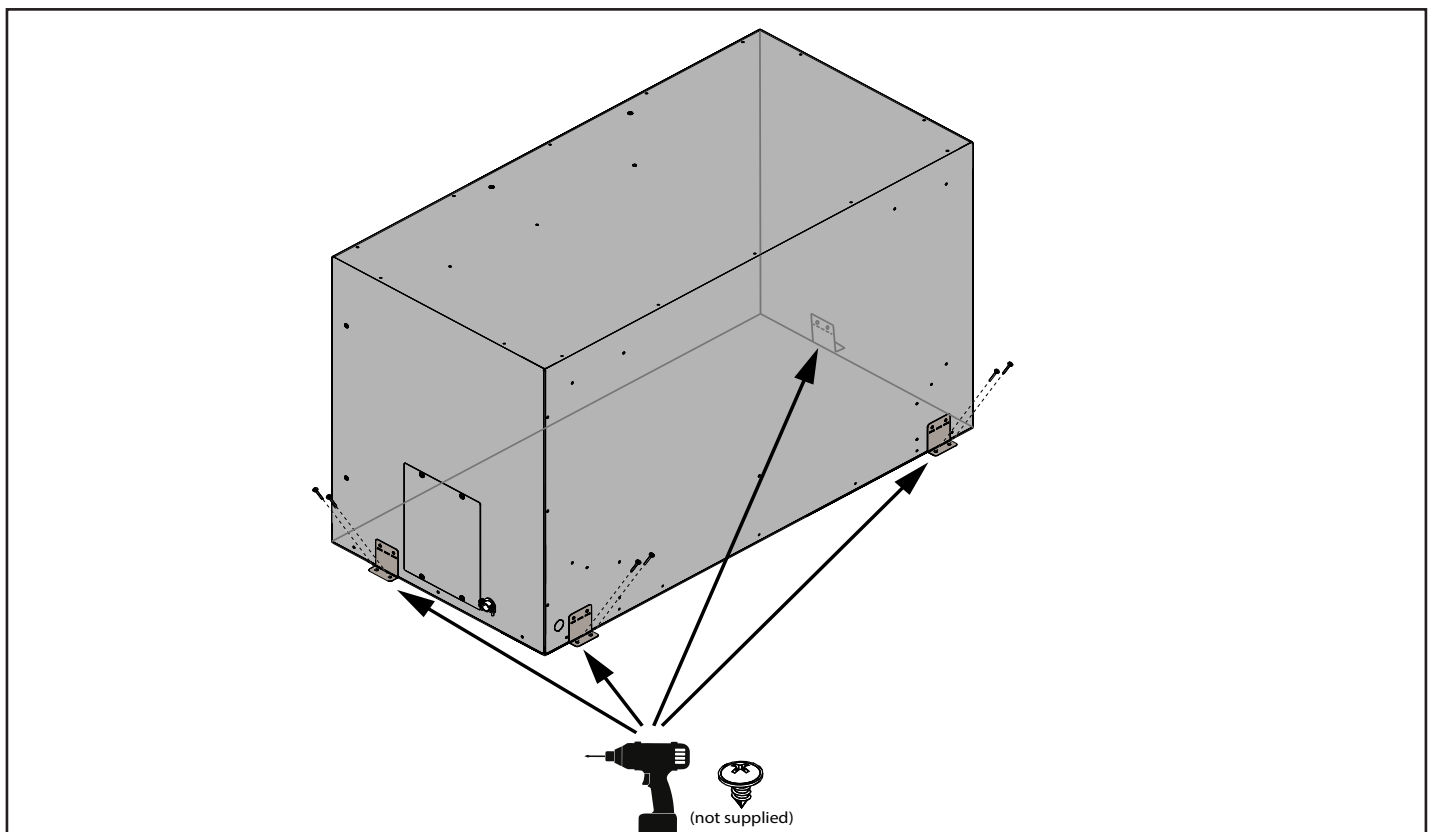


Model	W (mm)	H (mm)	D (mm)
LE800	1000	610	500
LE800 + One Display Niche	1505		
LE800 + Two Display Niche	2005		
LE1000	1200		
LE1000 + One Display Niche	1705		
LE1000 + Two Display Niche	2205		

B2 Cavity Clearances and Recommendations

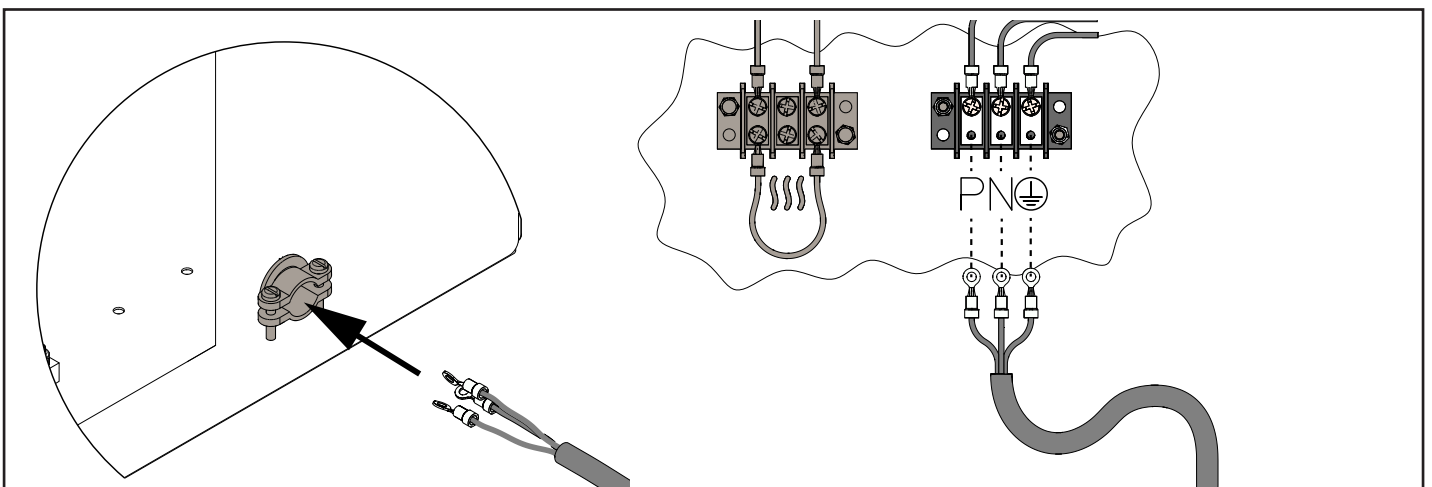
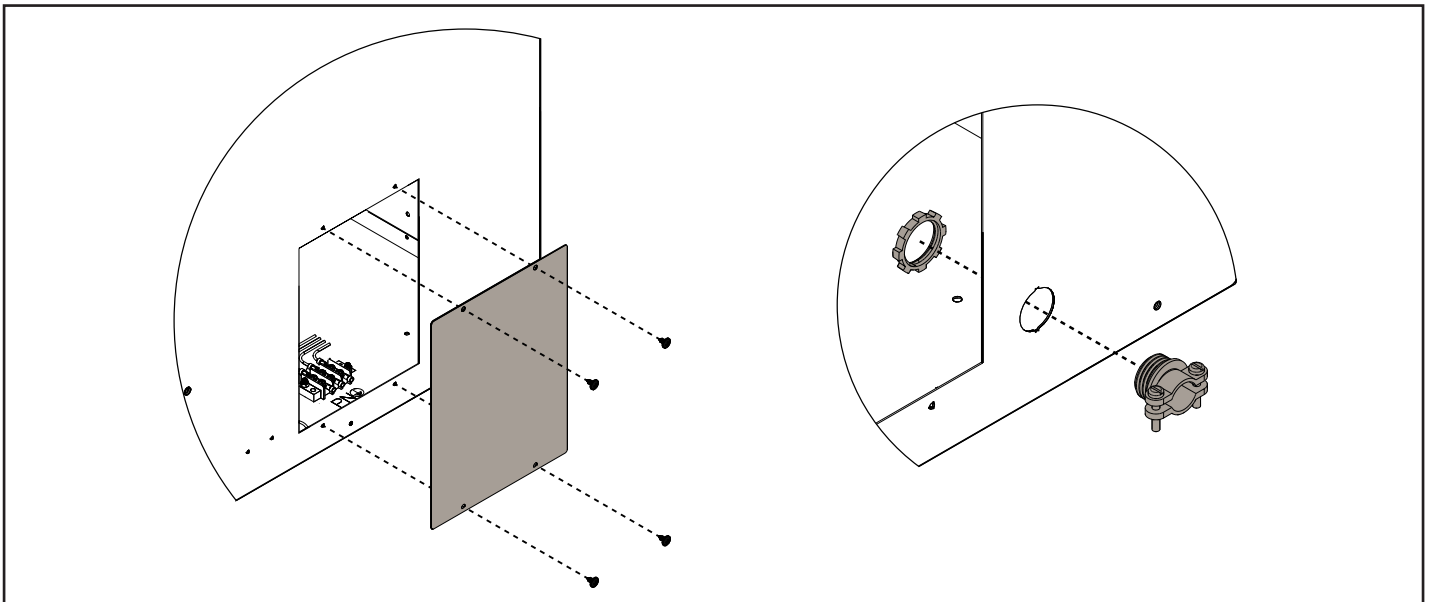
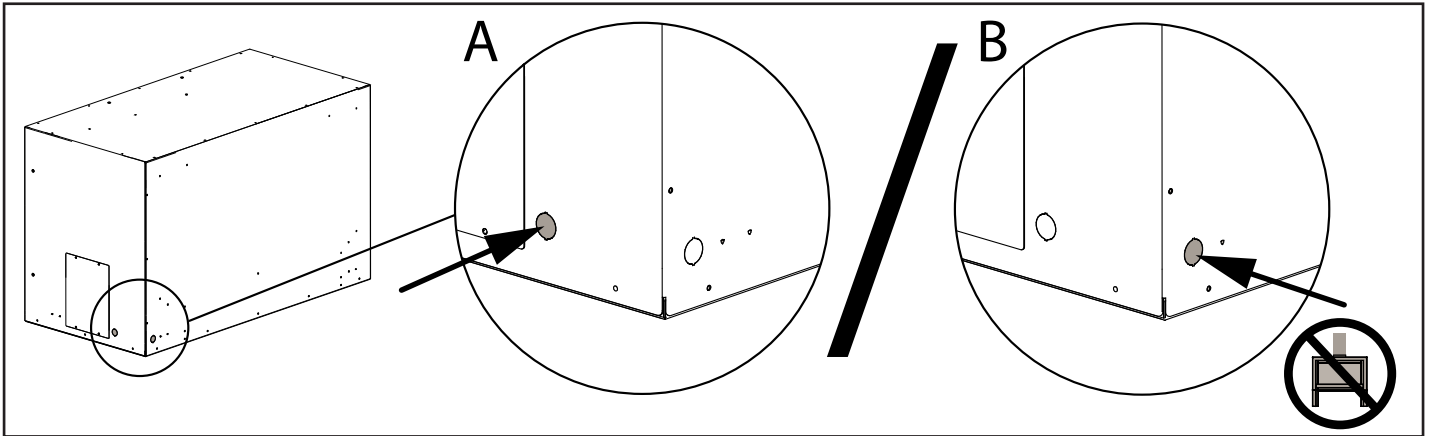


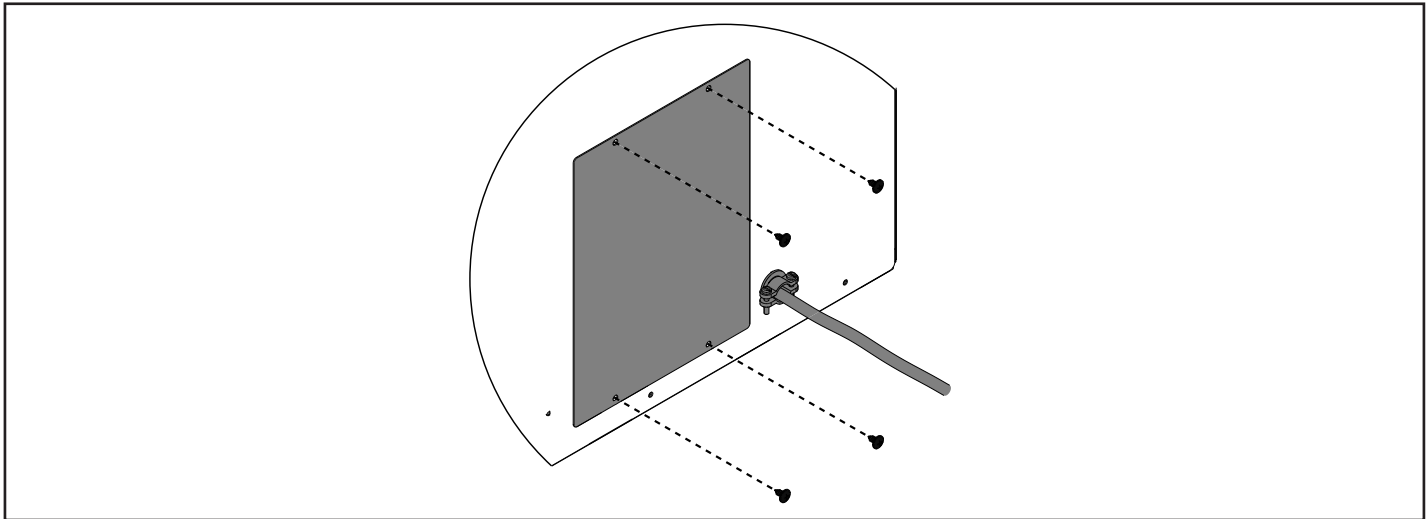
B3 Fixing the Fireplace



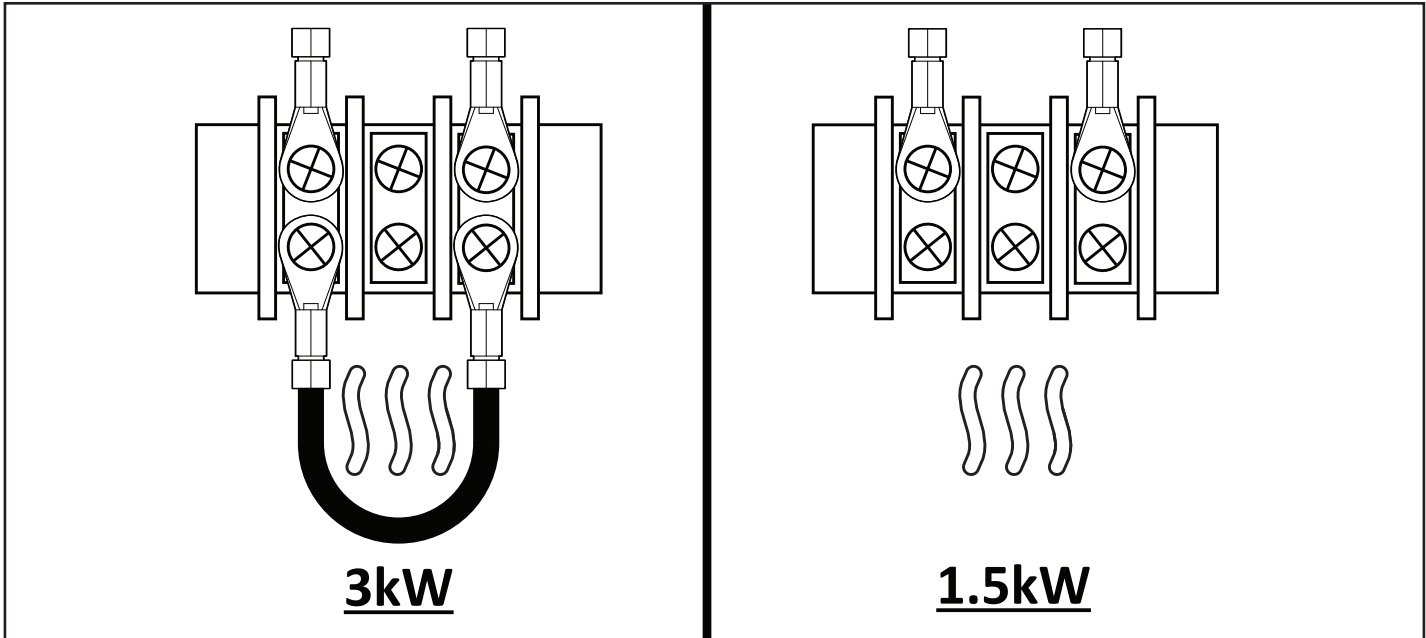
C CONNECTING THE ELECTRICITY

C1 Connecting the Power (Electrician Required)





C2 Switching to 1.5 kW (Optional)

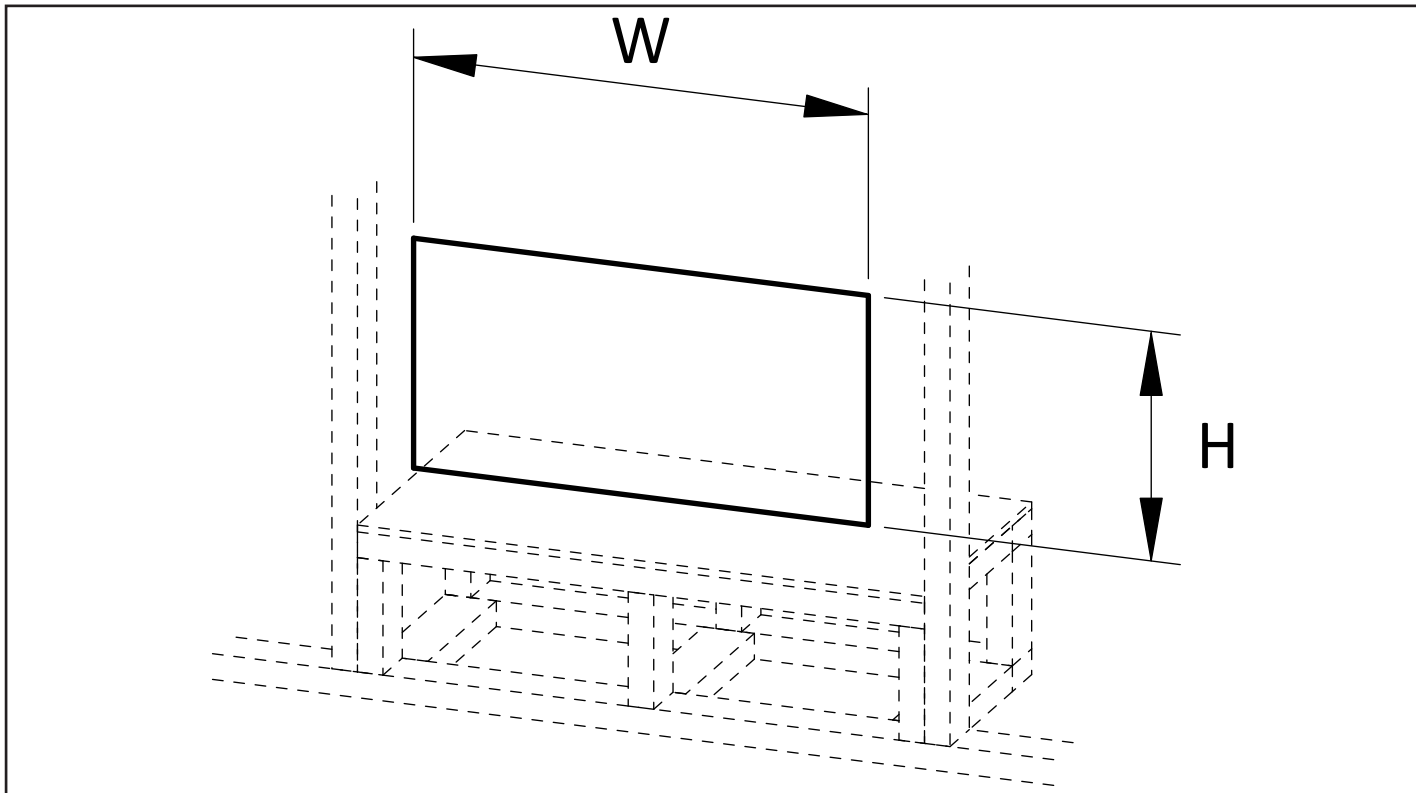


3kW

1.5kW

D FINISHING THE BUILT-IN INSTALLATION

D1 Recommended Wall Lining Opening

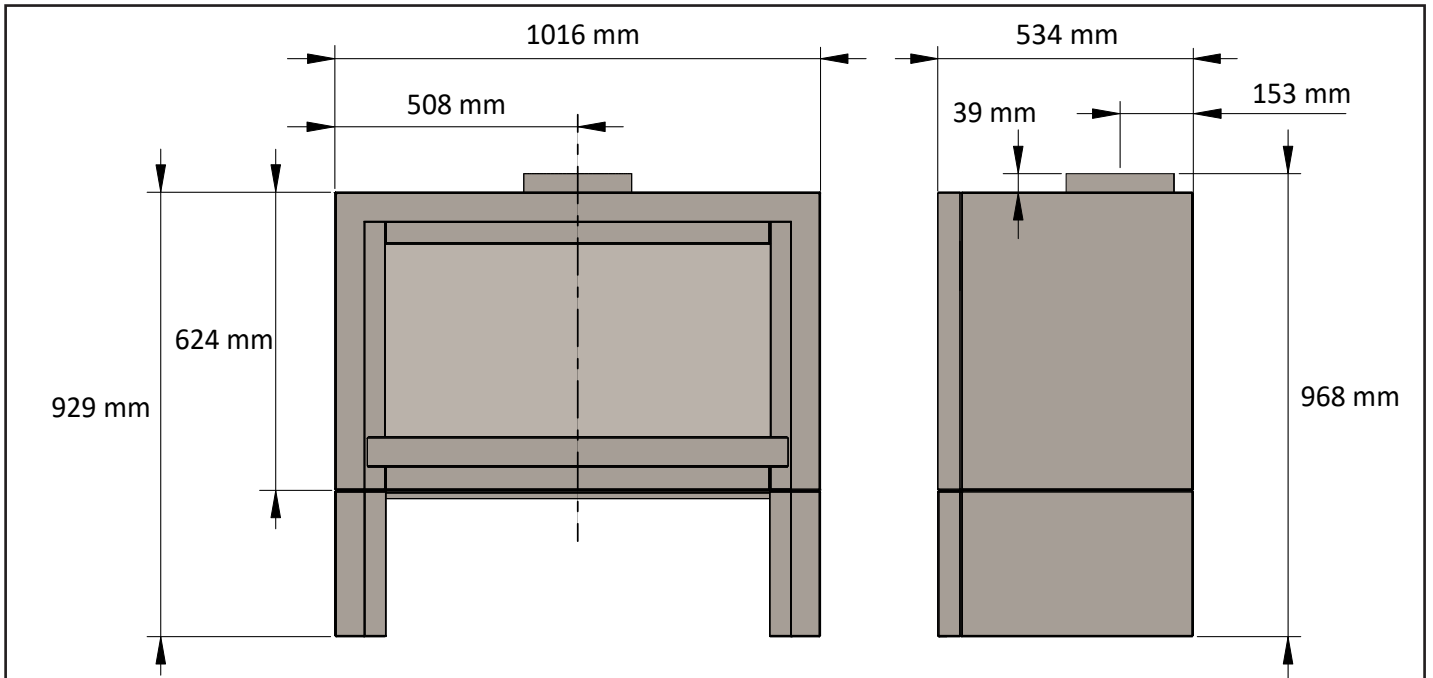


Model	W (mm)	H (mm)
LE800	808	408
LE800 + One Display Niche	1362	
LE800 + Two Display Niche	1915	
LE1000	1008	
LE1000 + One Display Niche	1562	
LE1000 + Two Display Niche	2115	

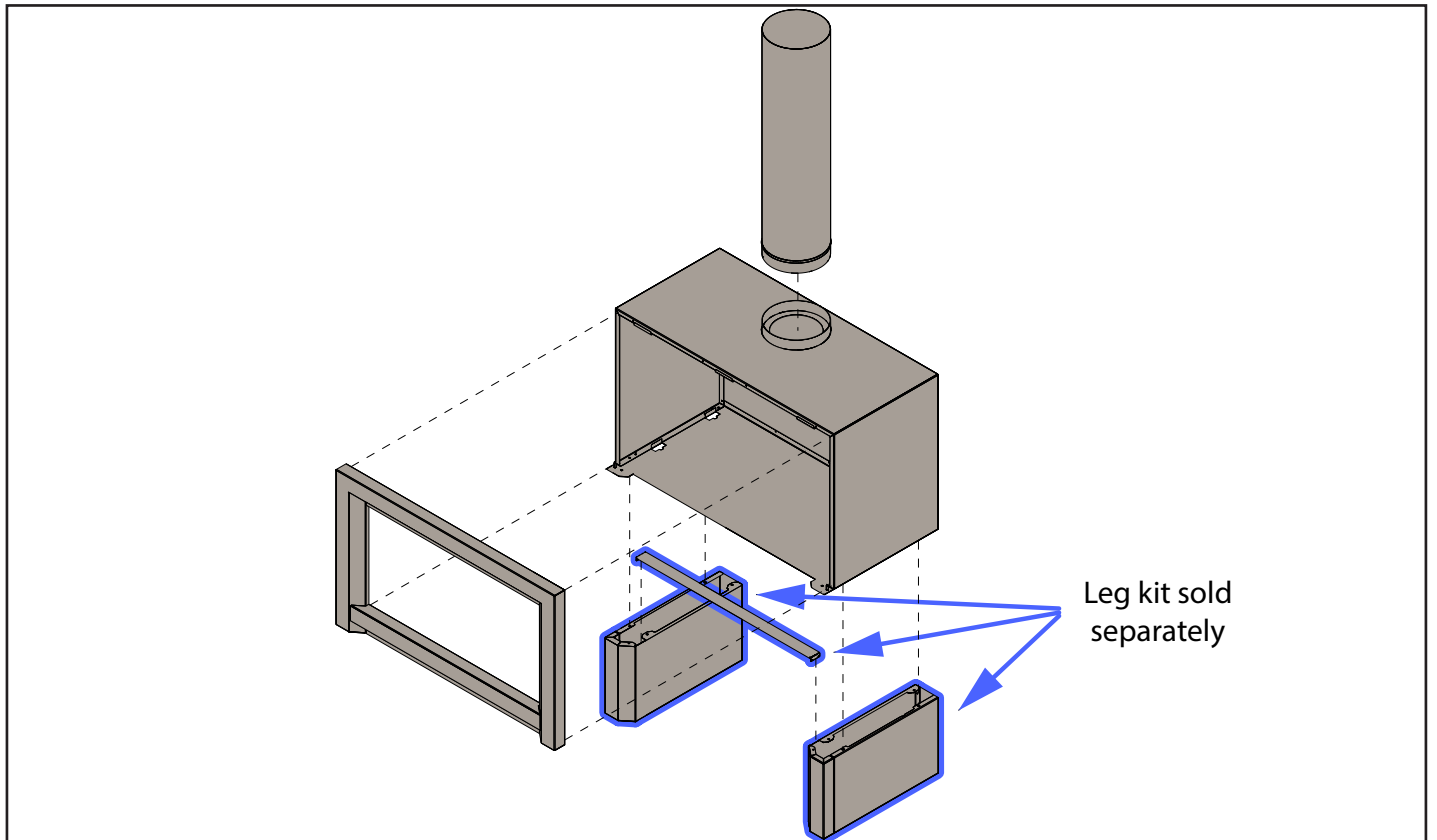
FOR FURTHER ADVICE EMAIL: AA@ESCEA.COM

E FREESTANDING UNIT INSTALLATION

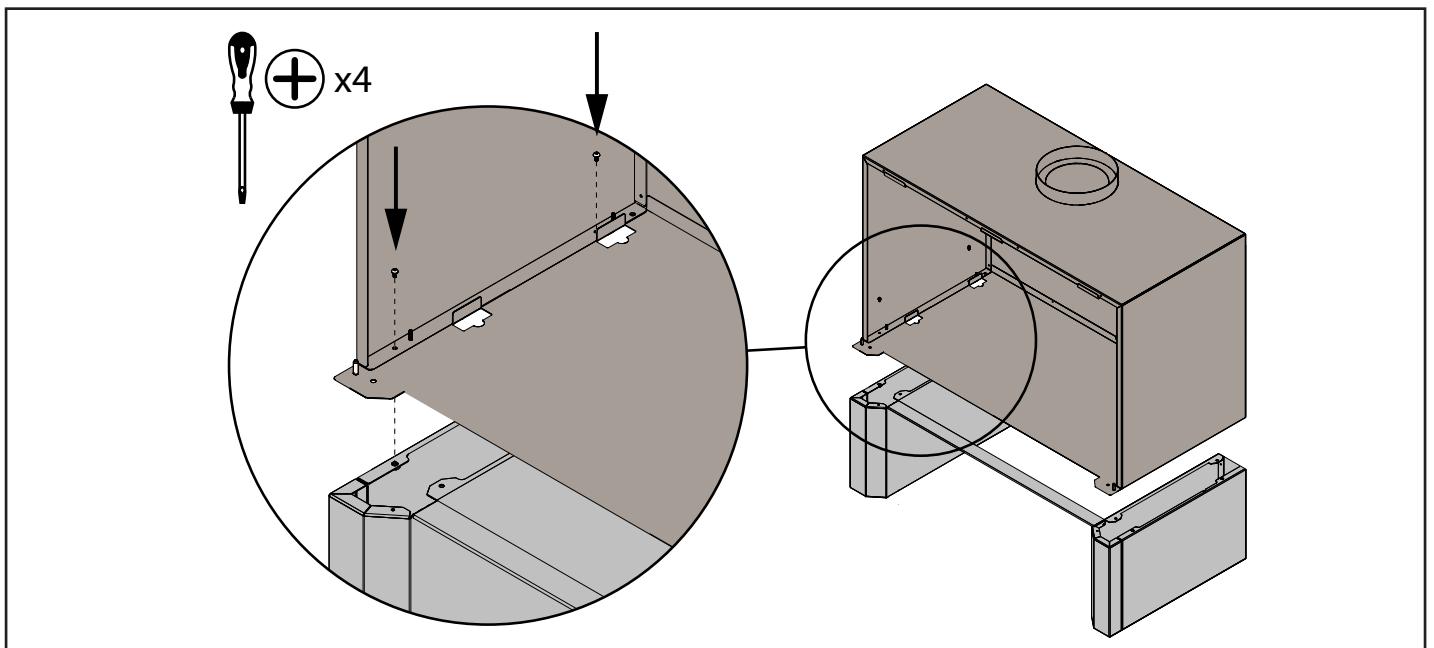
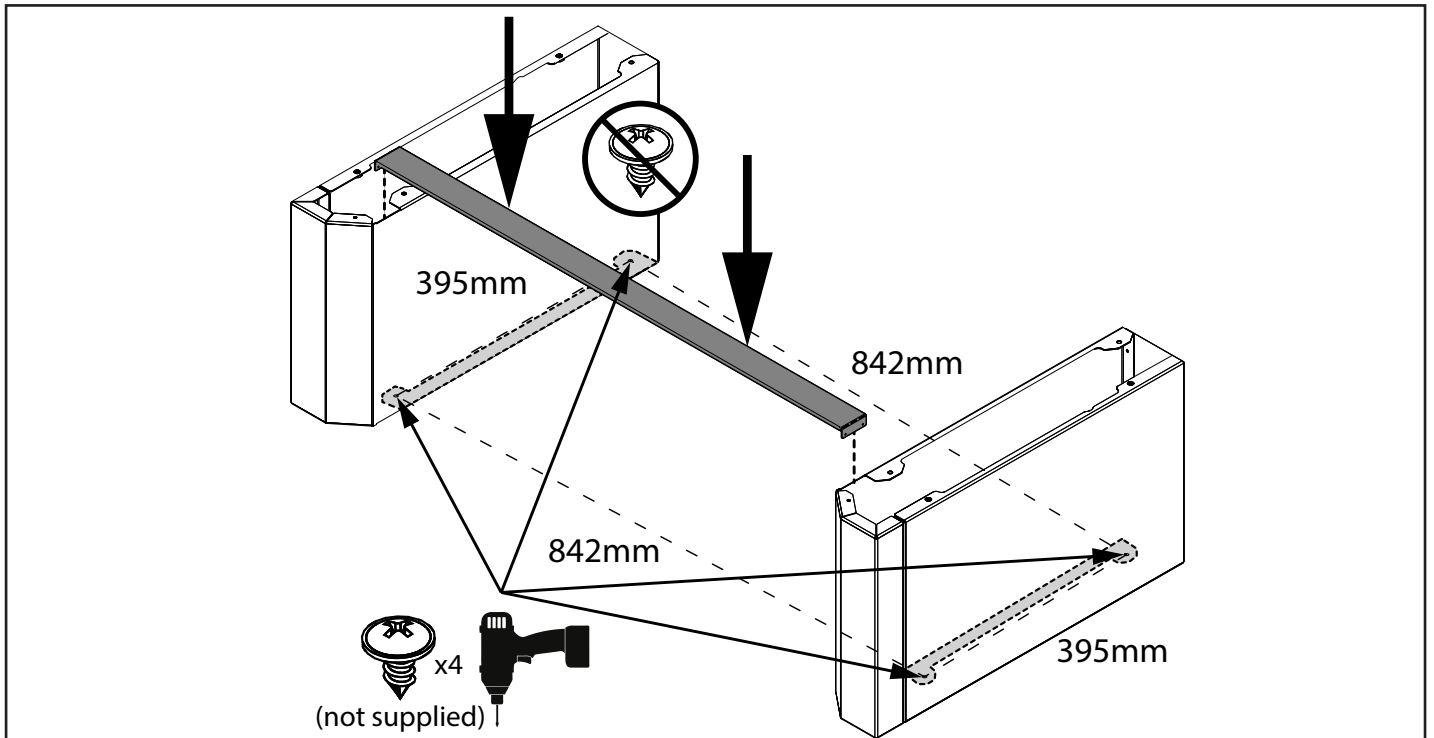
E1 Freestanding Unit: Product Dimensions



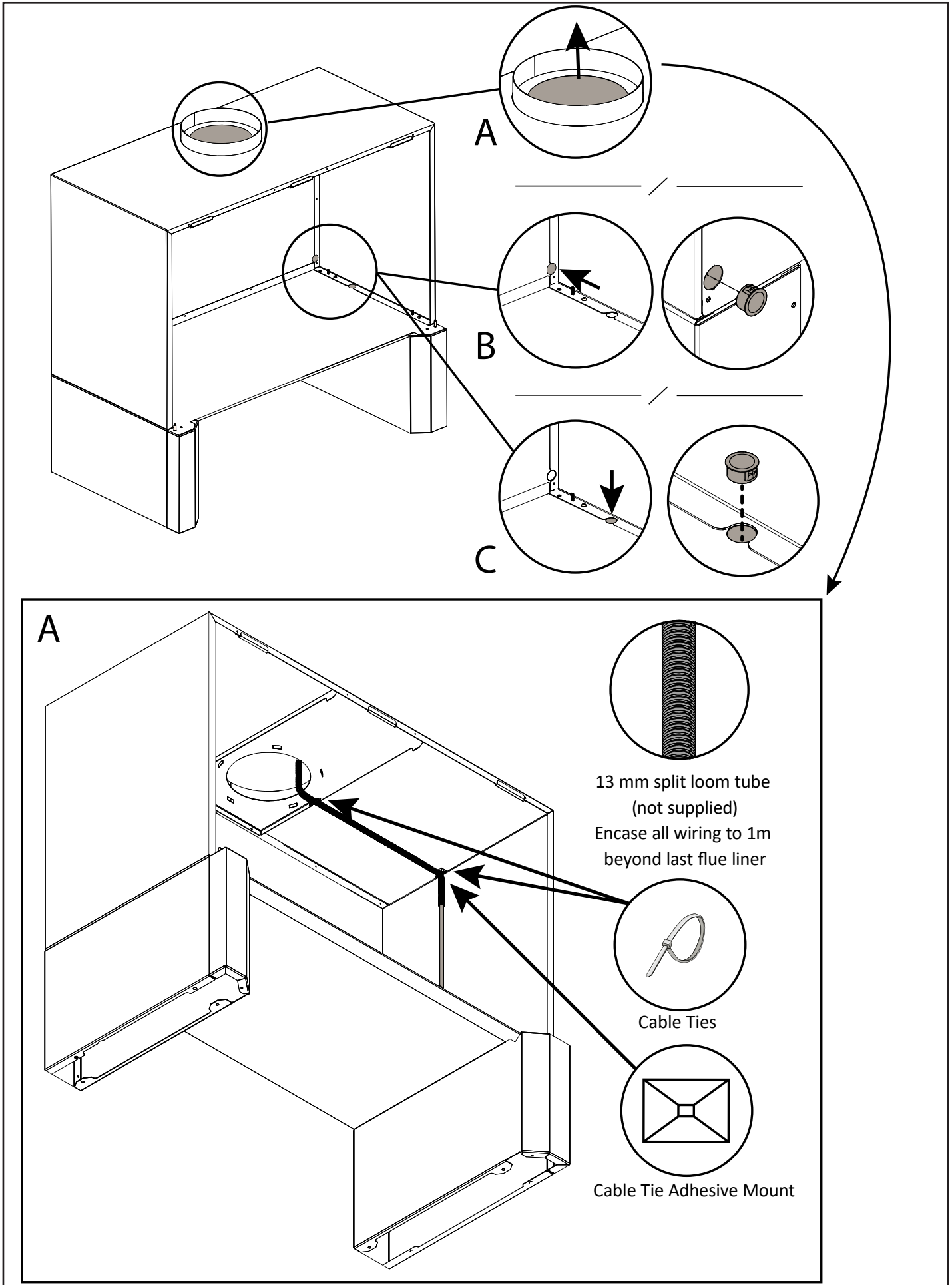
E2 Freestanding Unit: Assembly Overview



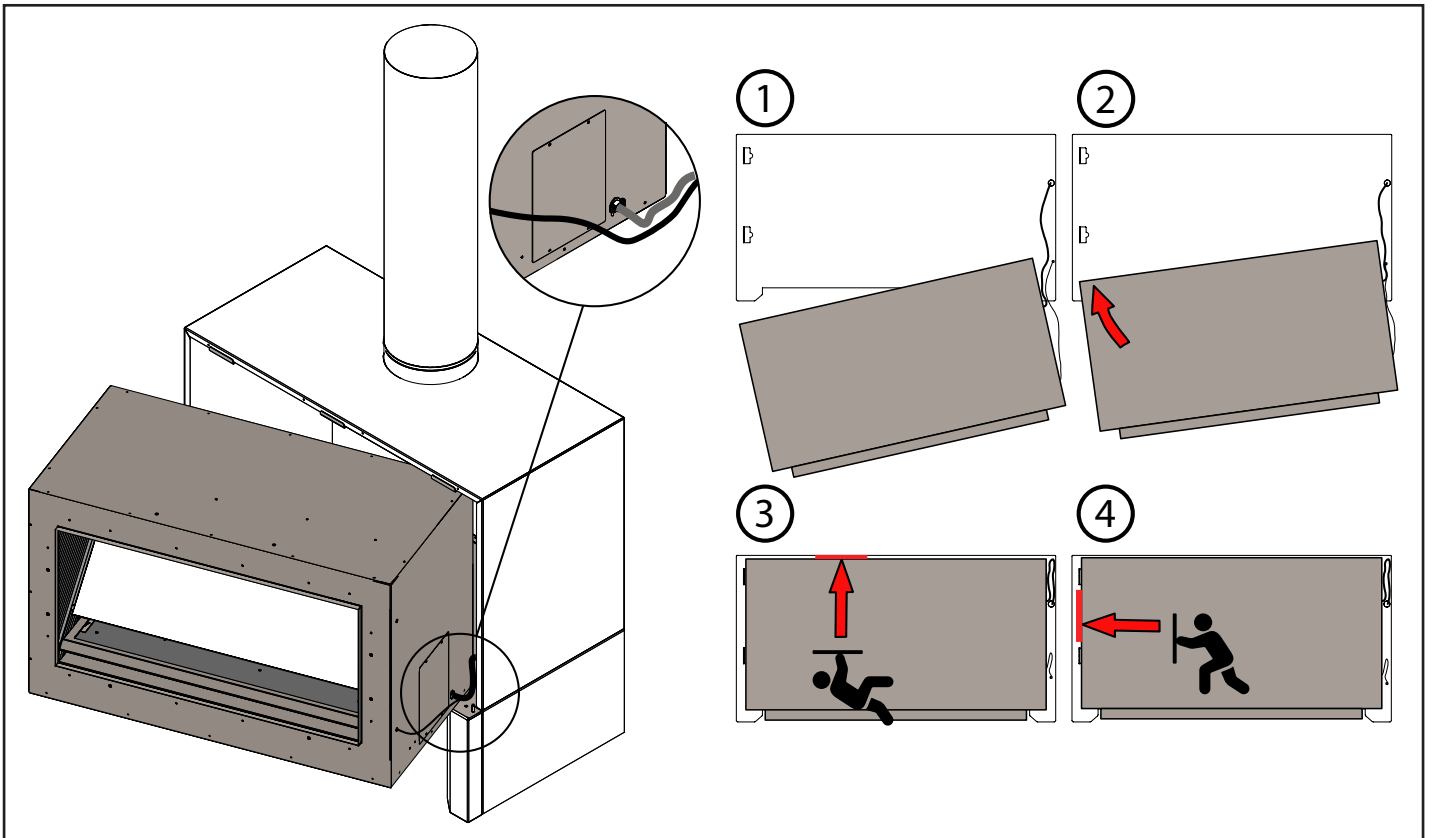
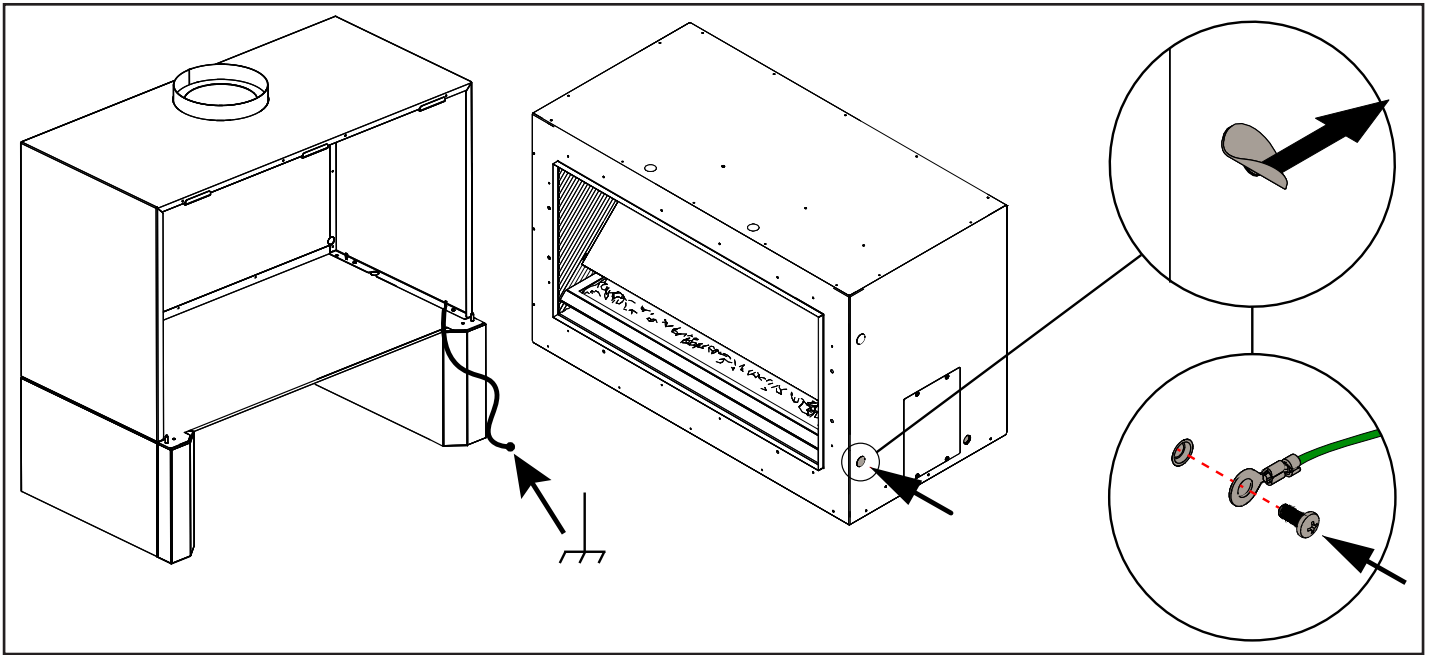
E3 Freestanding Unit: Leg Assembly



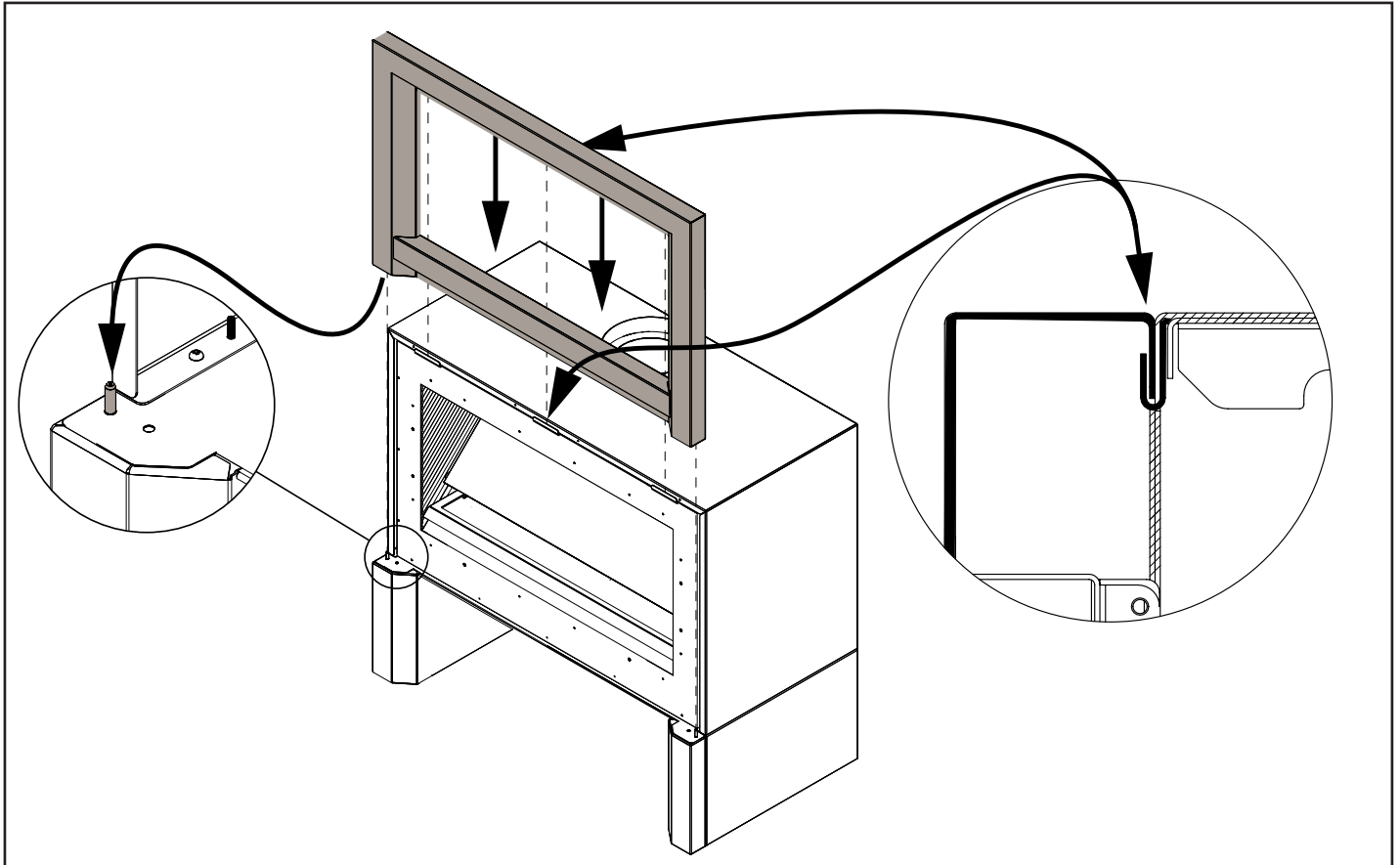
E4 Freestanding Unit: Running the Electrical Cables



E5 Freestanding Unit: Installing the Fireplace



E6 Freestanding Unit: Fitting the Console Fascia



F FINISHING THE INSTALLATION

F1 Fuelbed and Log Setup



Primary Logs



A



B



C

Secondary Logs



1



2



3



4



5



6



7



8

Log B



Log A



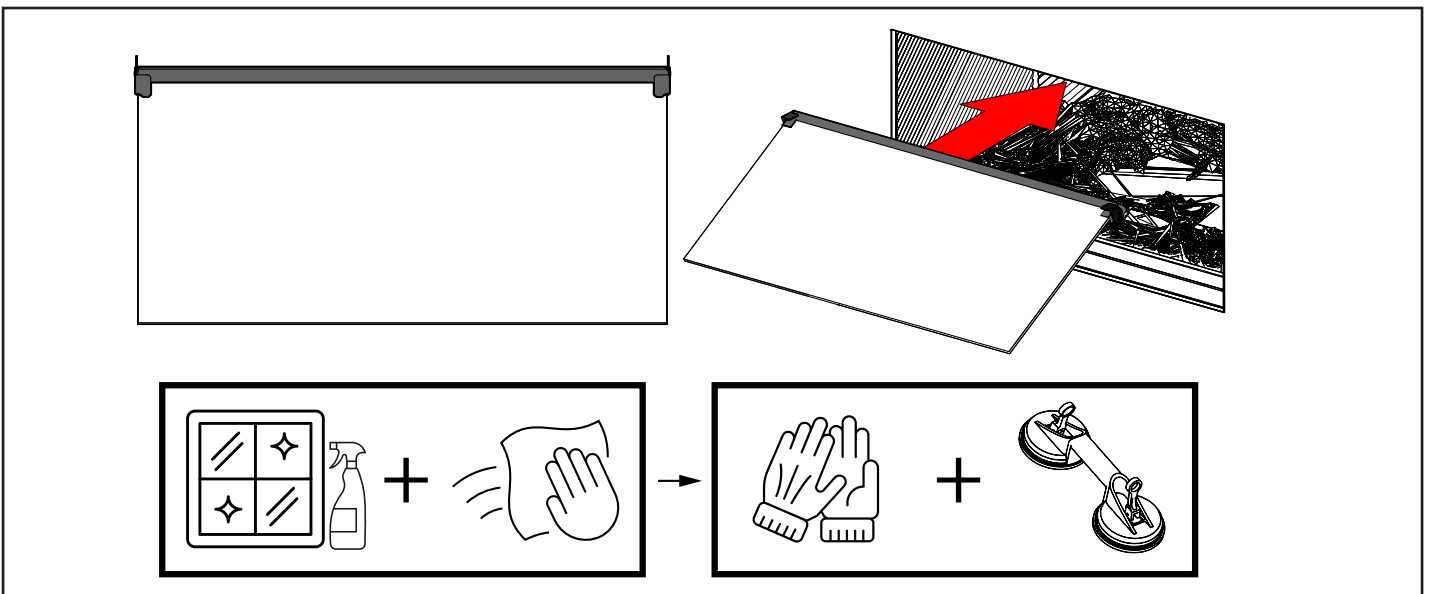
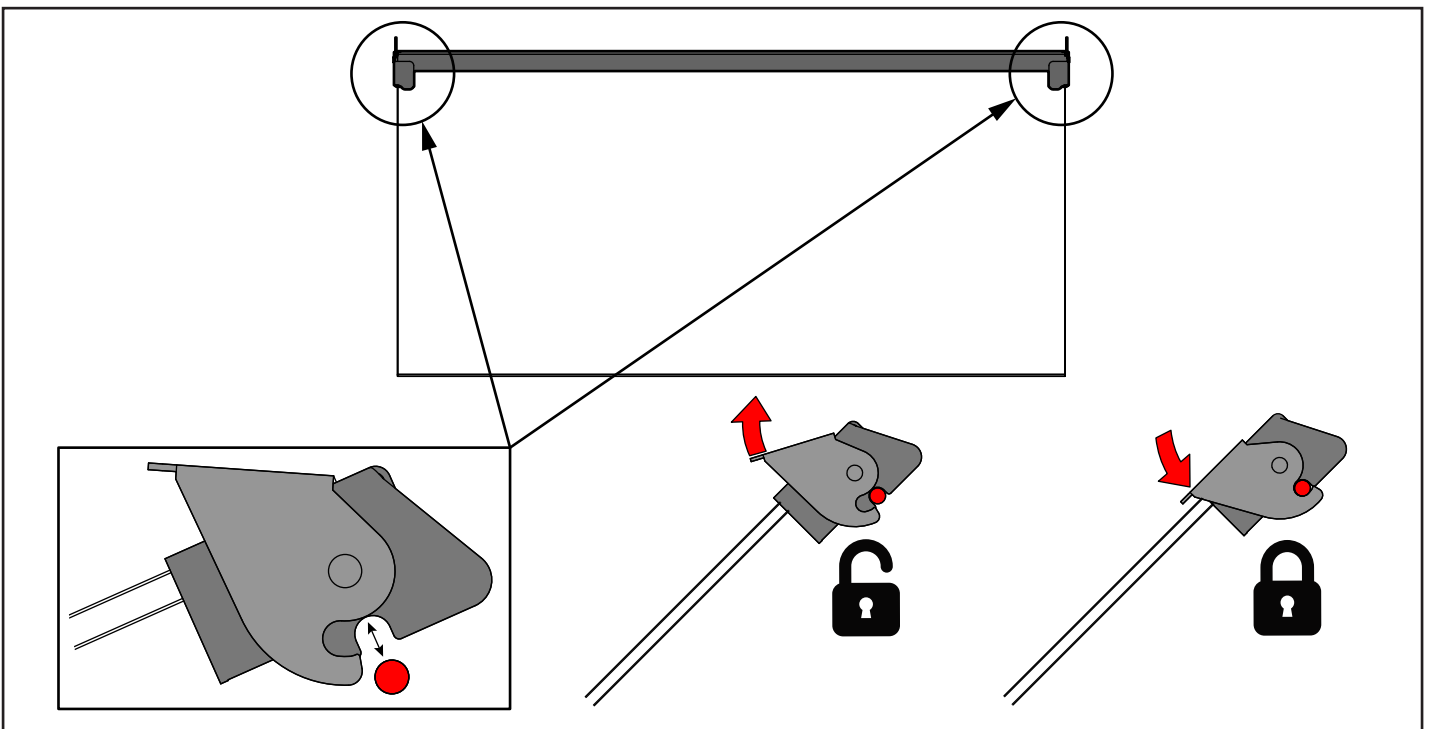
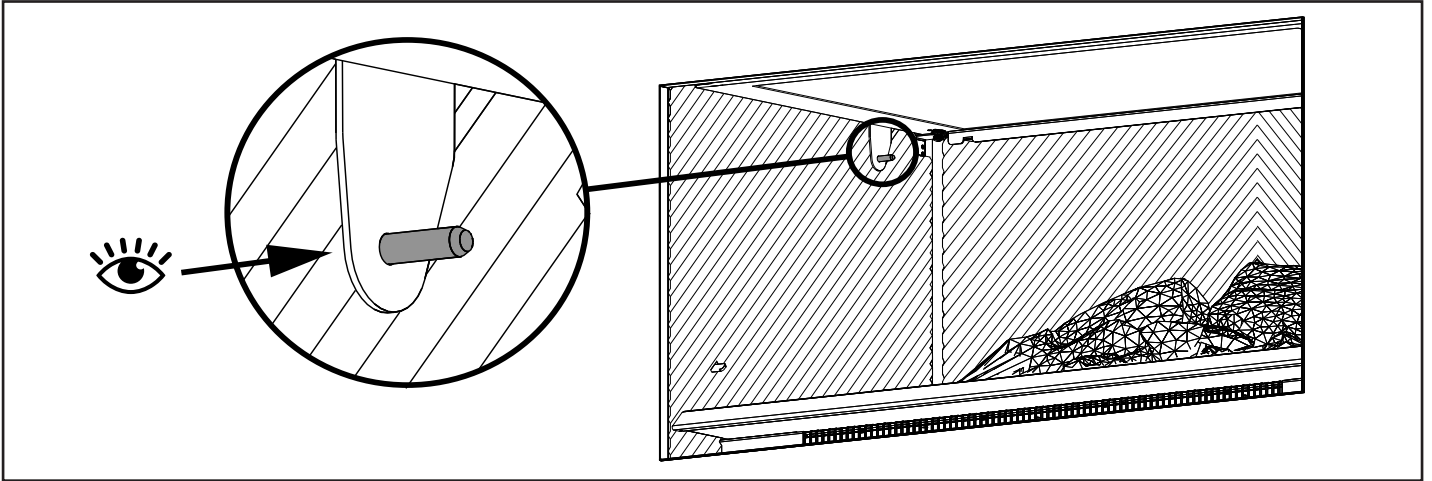
Log C



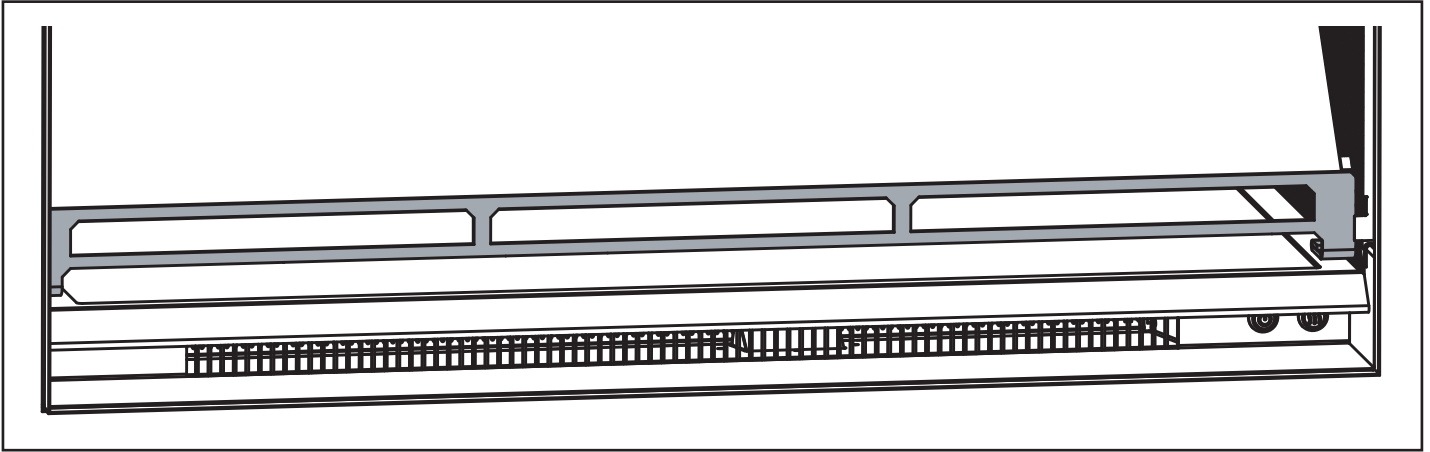
F2 Loose Embers (LE1000 Only) & Secondary Logs

Placed to suit preferences.

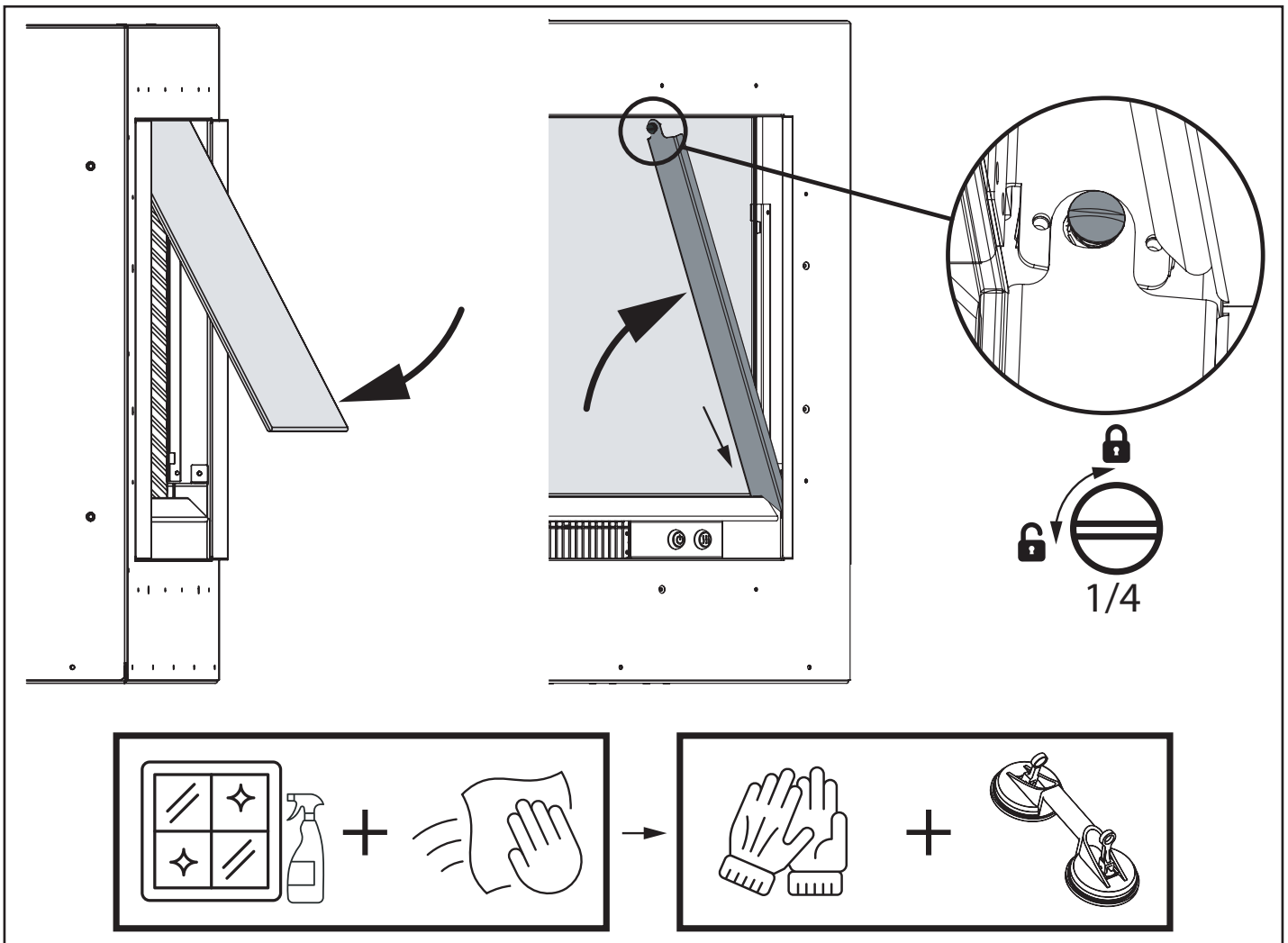
F3 Fitting the Angled Glass



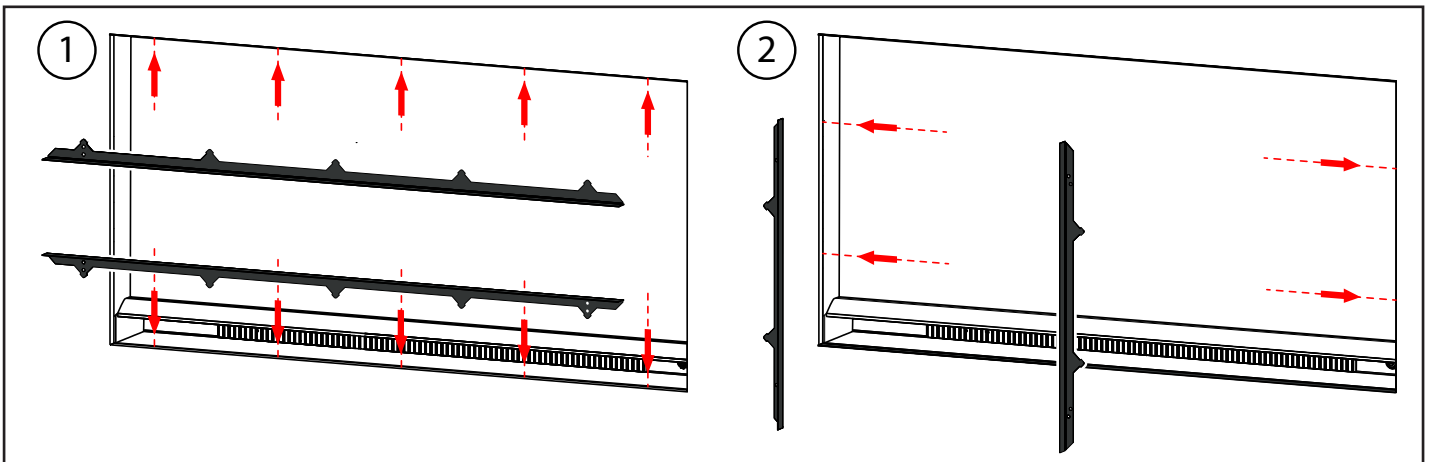
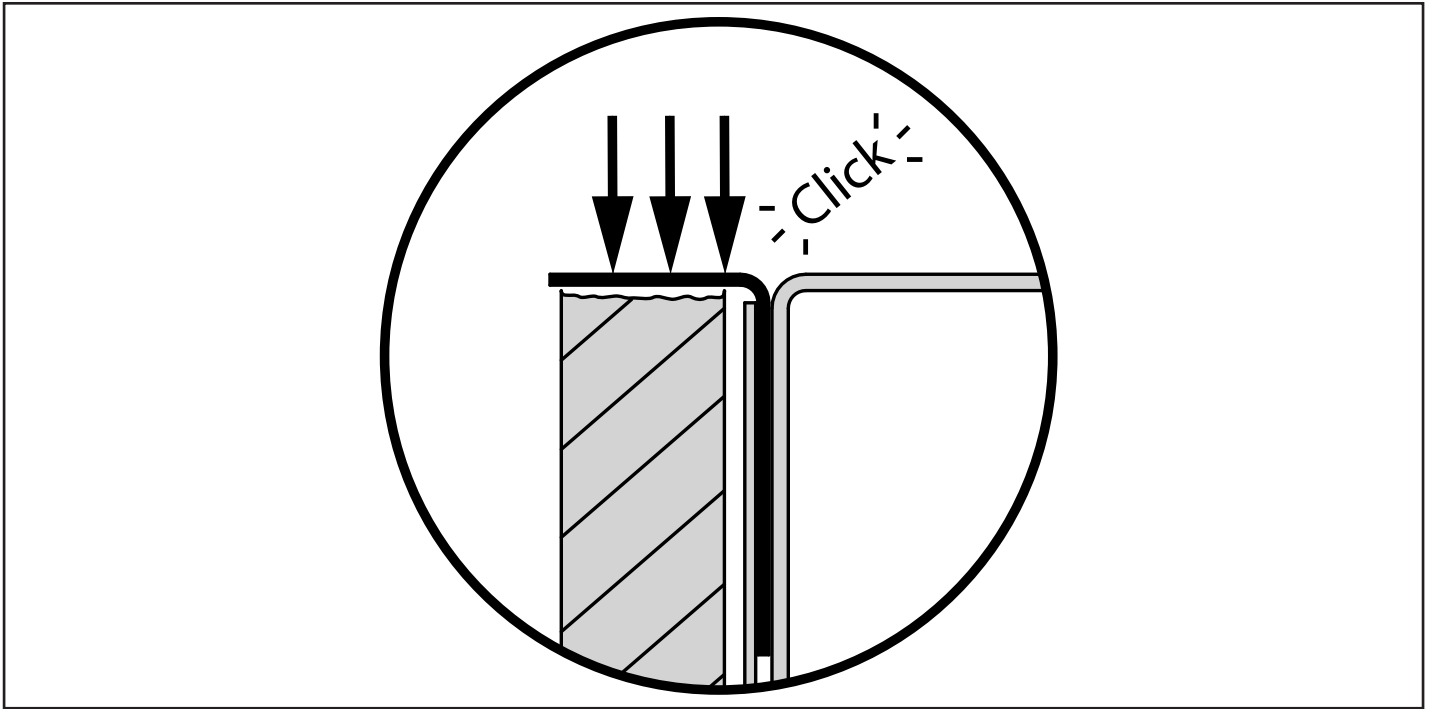
F4 Ember Guard Location (Optional)



F5 Fitting the Front Glass



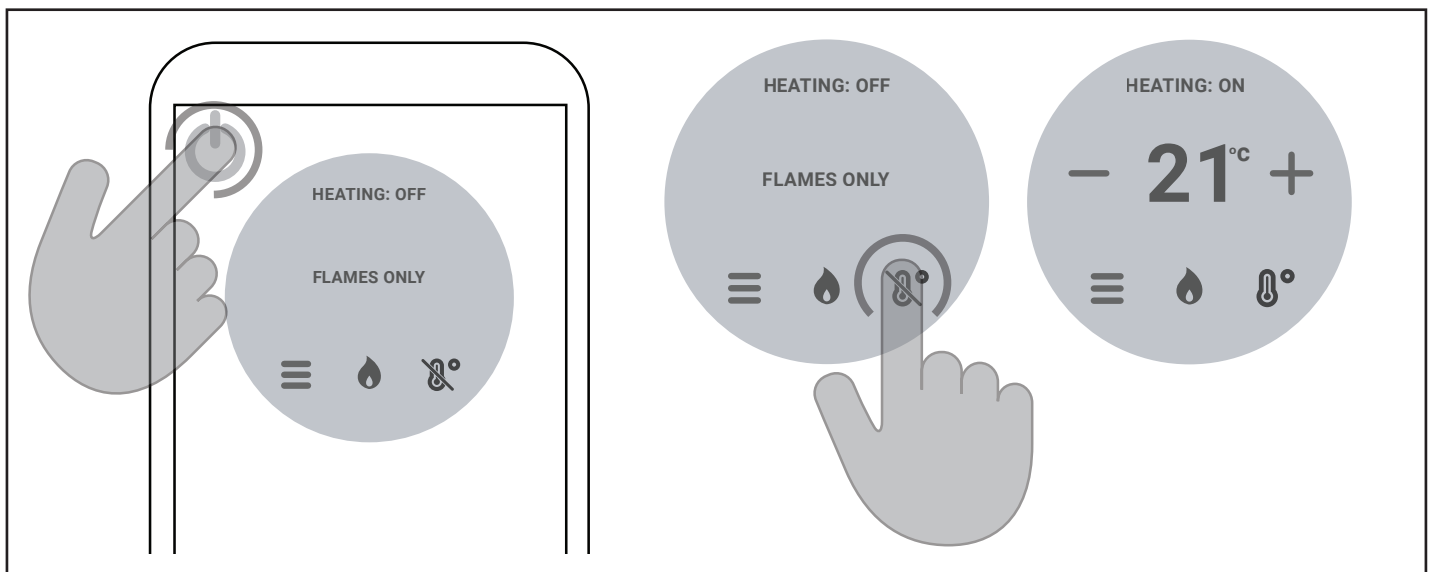
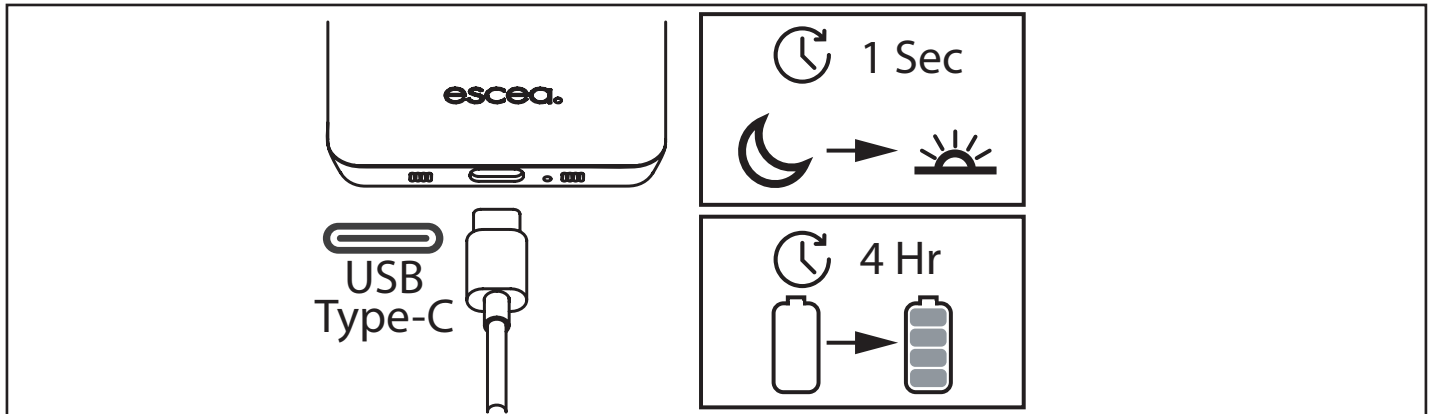
F6 Fitting the Trims



F7 Checking the Setup

- Powers on & flames appear
- Flames align with logs
- Downlight powers on
- Ember LEDs power on
- Heater powers on

F8 Operating the Fireplace



F9 Normal Operating Sounds and Smells

Sounds: Thermal expansion and contraction may cause noise. The fan may produce a "whirring" sound.

Smells: A temporary odor may occur from dust, especially after extended non-use.

G1 Error Codes

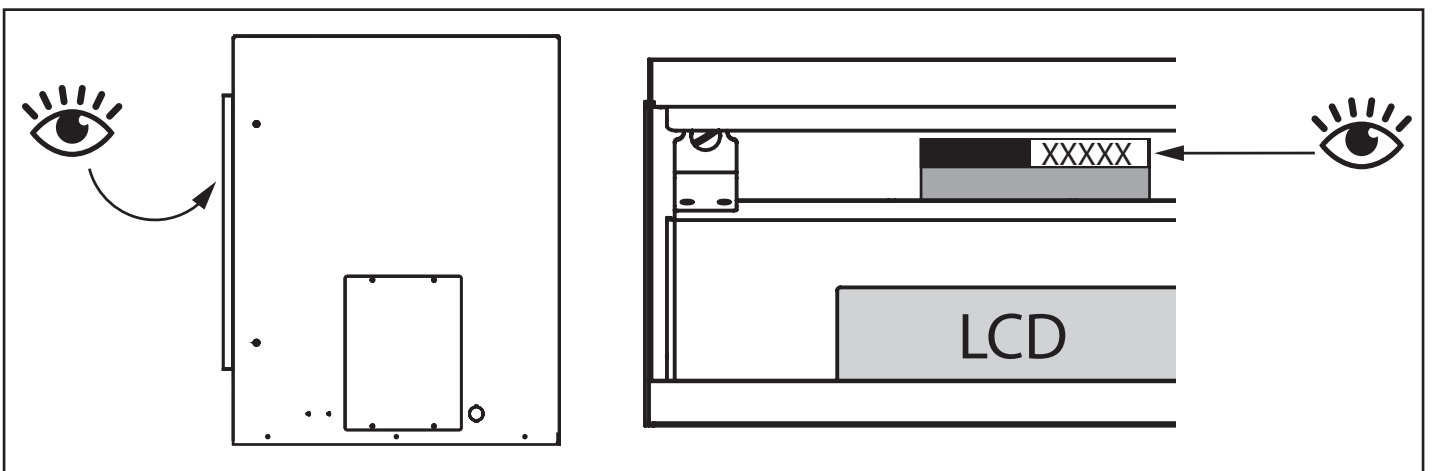
E2 Error: Contact Escea for assistance.

E3 Error: If the fireplace overheats, it will shut off. Wait a few minutes to cool, reset heater by turning off and on. If the error persists, contact a technician.

G2 Troubleshooting

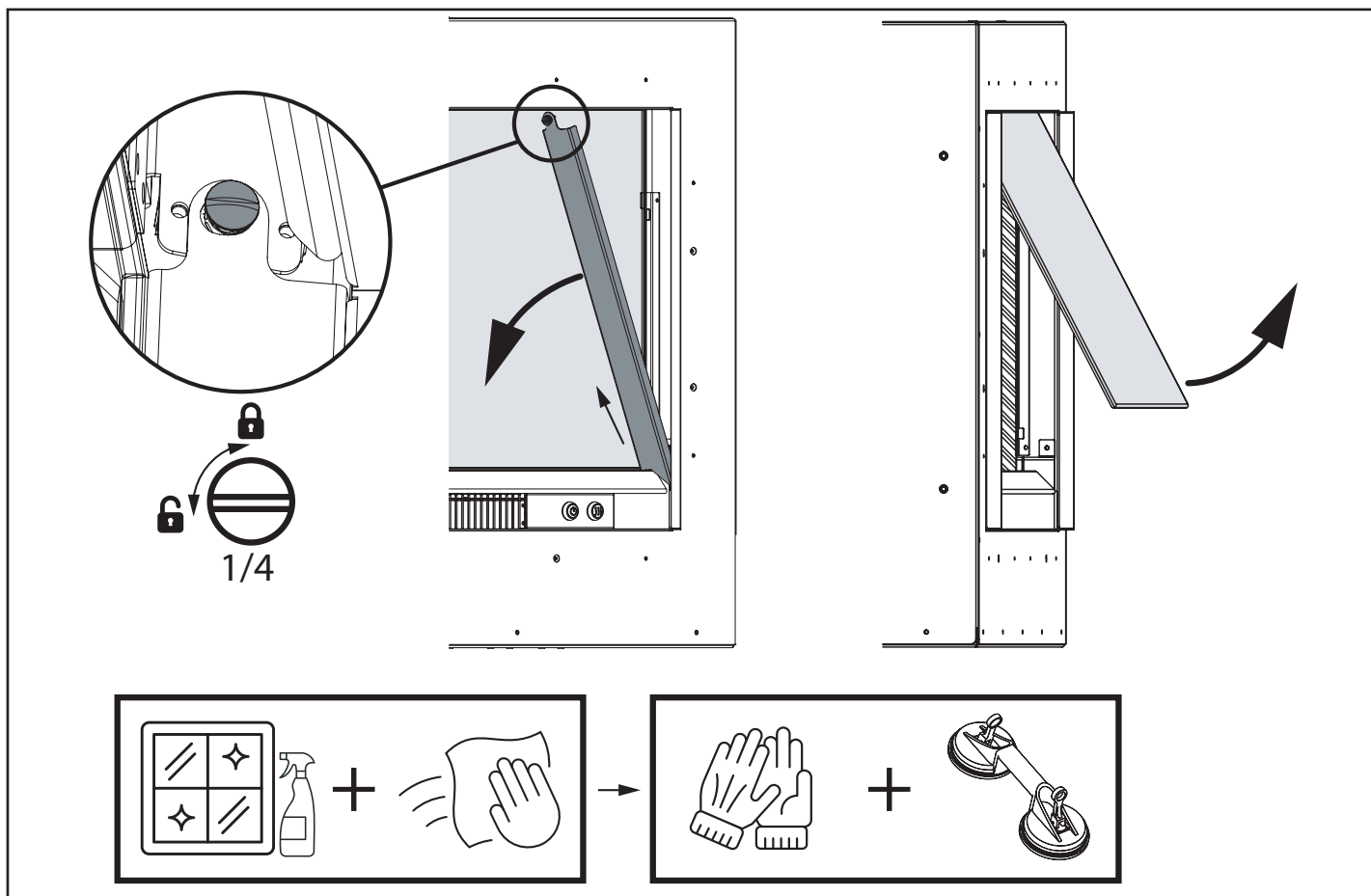
Problem	Possible Cause	Solution
Fireplace won't start	No power.	Check power.
	Remote has no power	Charge remote or use fireplace power button
Remote unresponsive	Remote has no power	Charge via USB-C
	Faulty remote	Contact Escea for assistance.
Heater not working	Fan may be stalled or slowed by a blockage	Contact Escea for assistance. Technicians: refer to the Service Manual for part inspection and cleaning details.
	Fan and/or heater element may be disconnected	
Fan is noisy	Dust or debris buildup	
	Fan may be touching a loose component	
	Faulty Fan	
Ember LEDs not working	LEDs may be disconnected	

G3 Serial Number Location

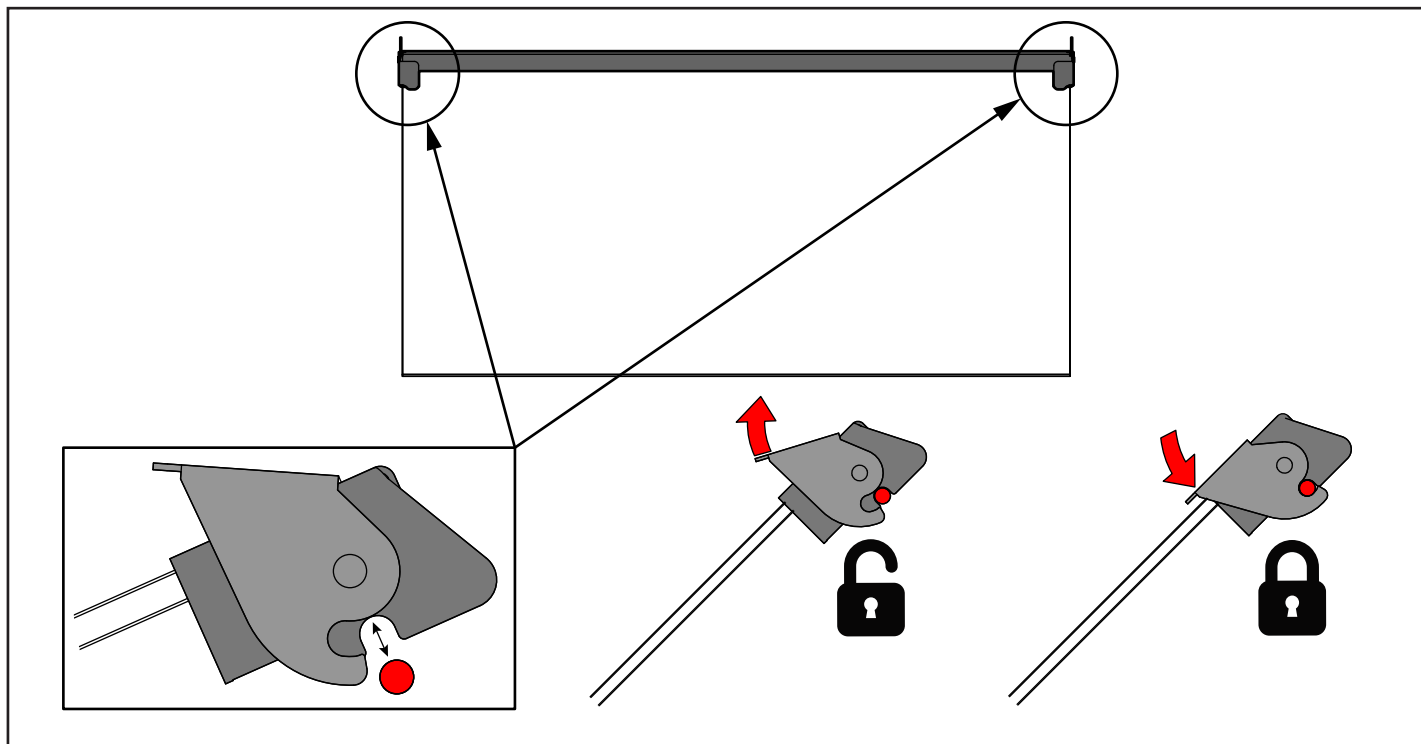


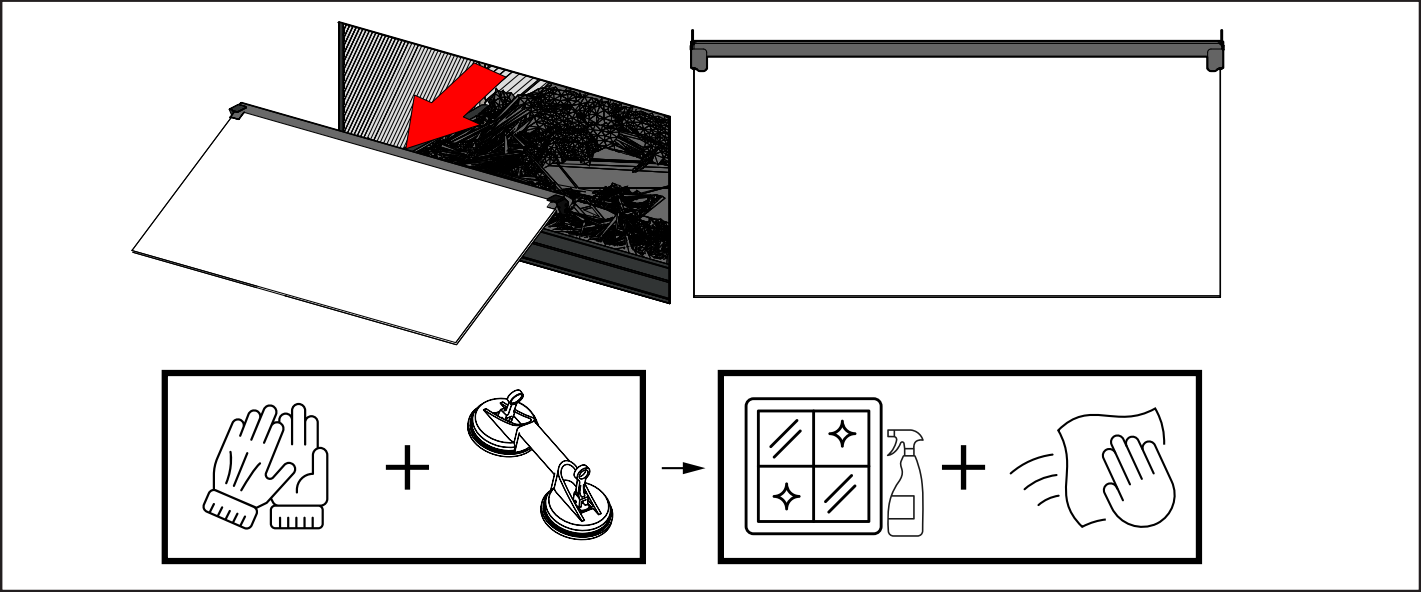
G4 Removing/Cleaning the Glass

Front Glass

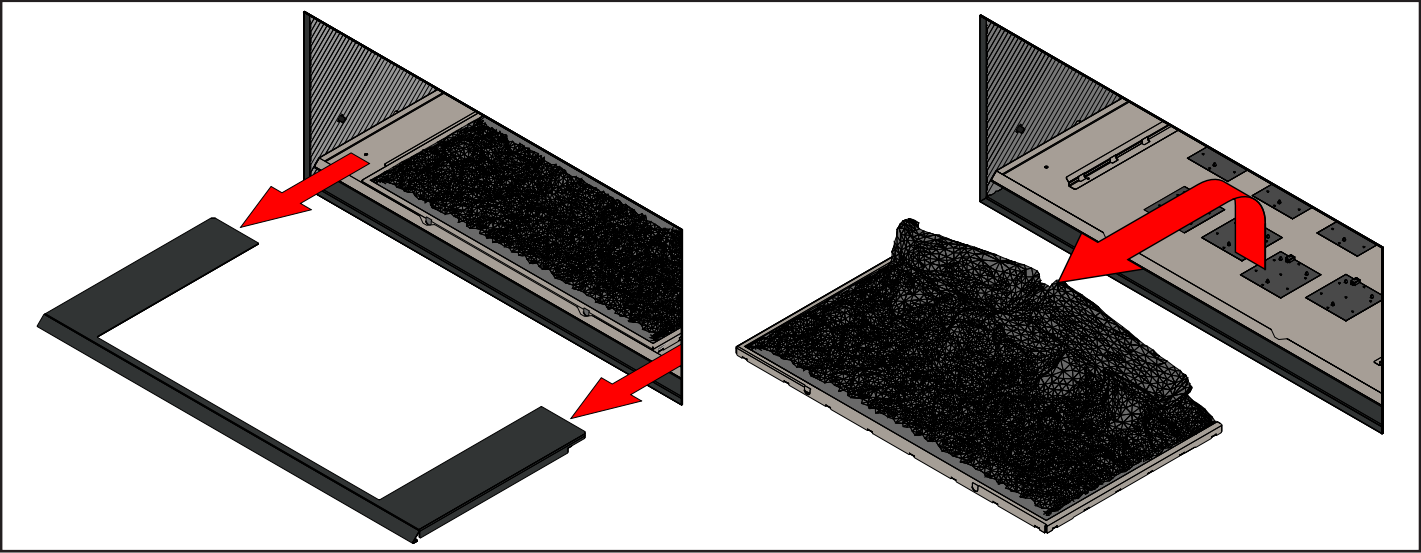
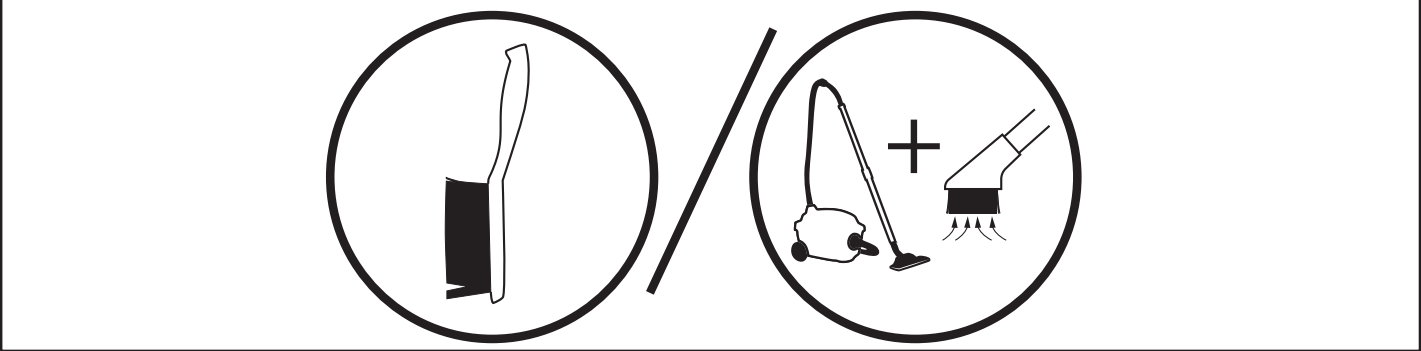


Angled Glass

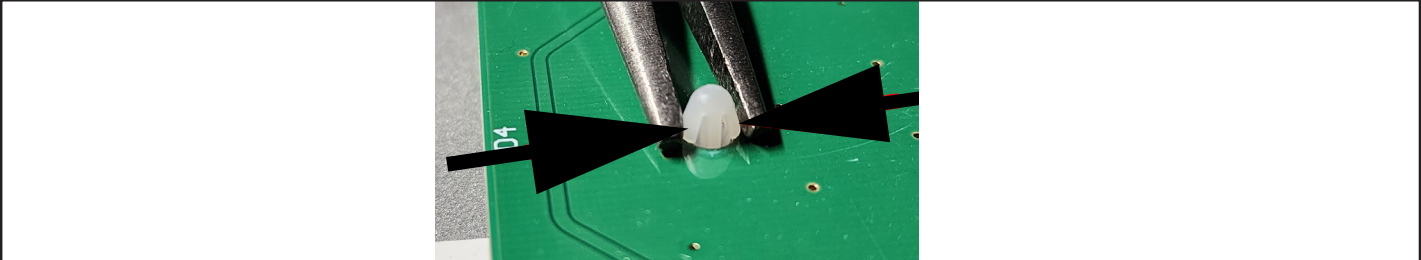




Cleaning/Replacing the Fuel Bed



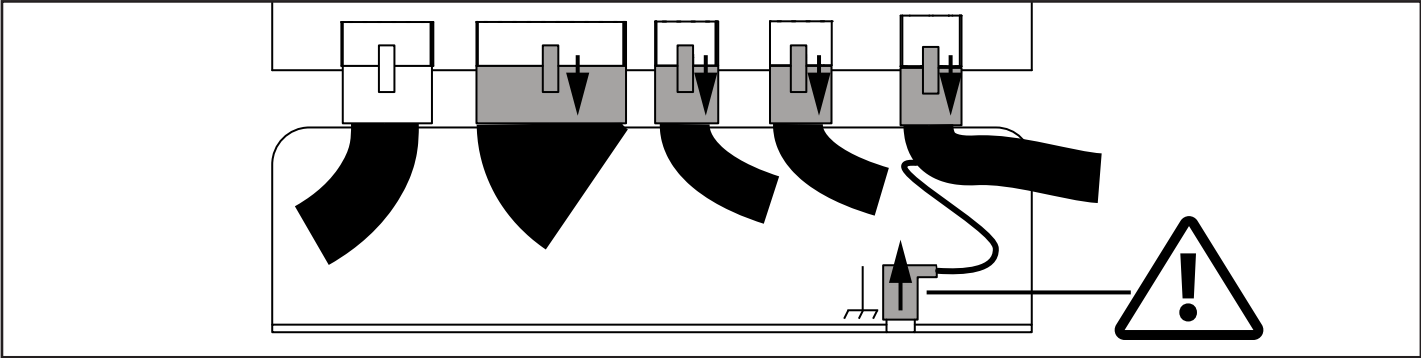
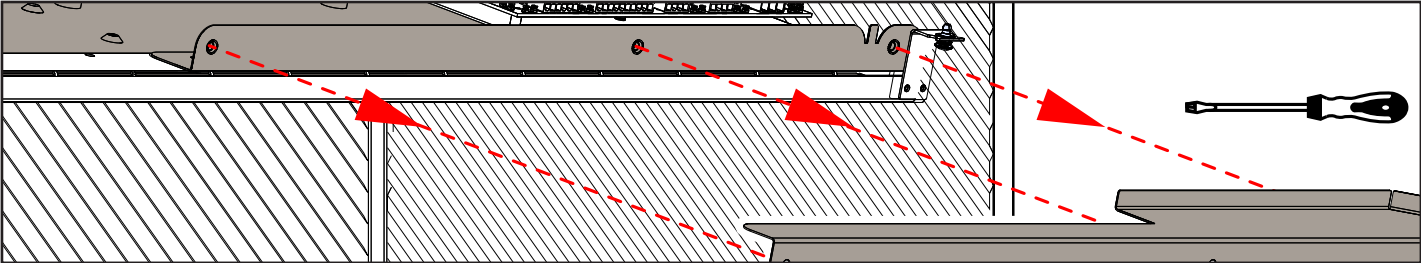
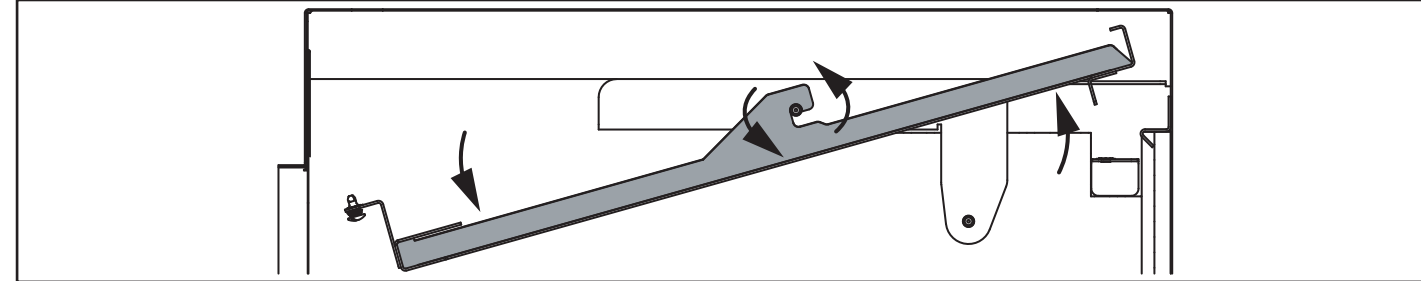
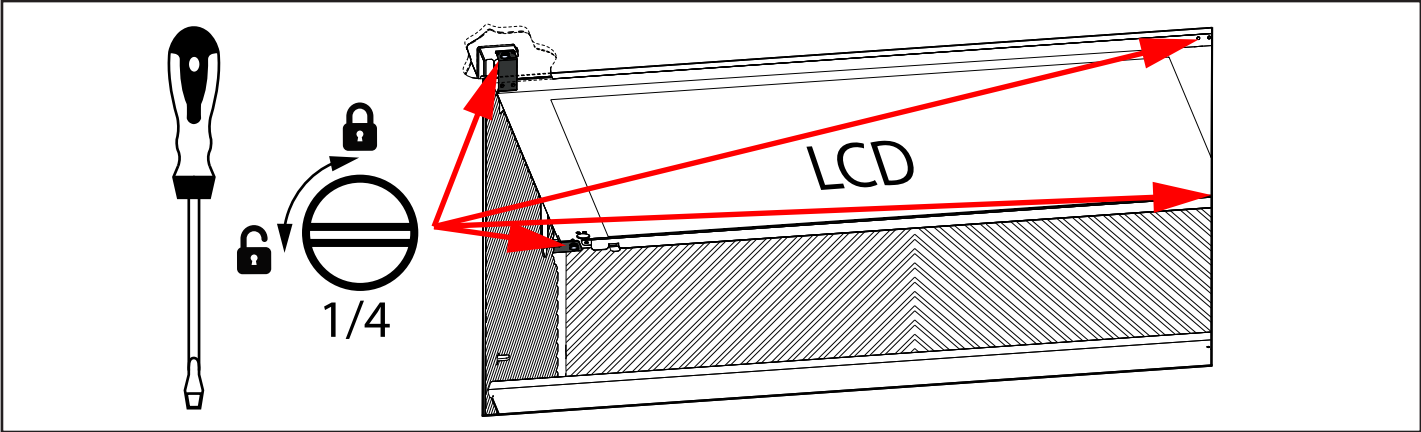
G5 Replacing the Fuelbed LEDs

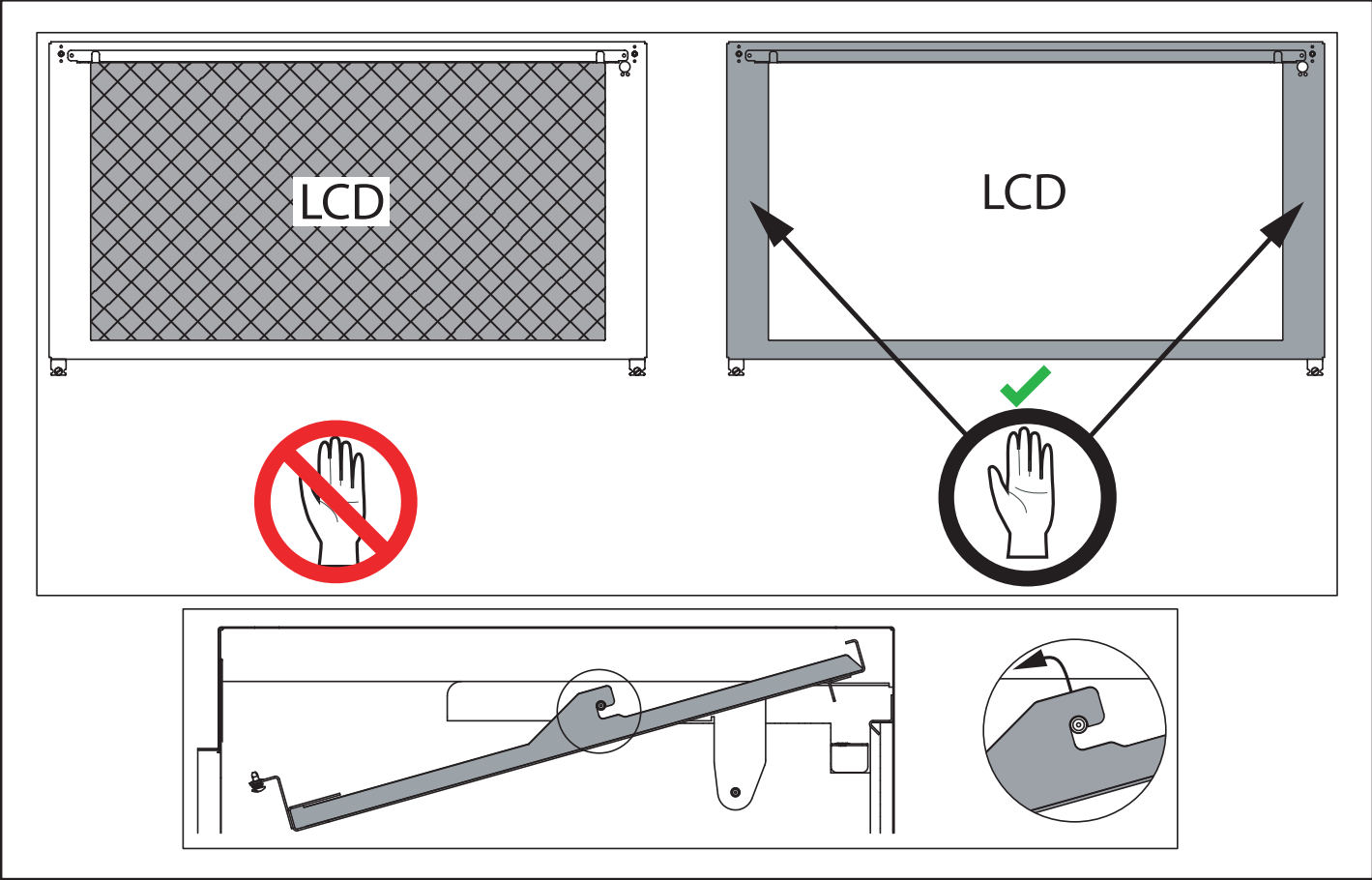


THE FOLLOWING SECTIONS MUST ONLY BE CARRIED OUT BY A QUALIFIED ELECTRICIAN.

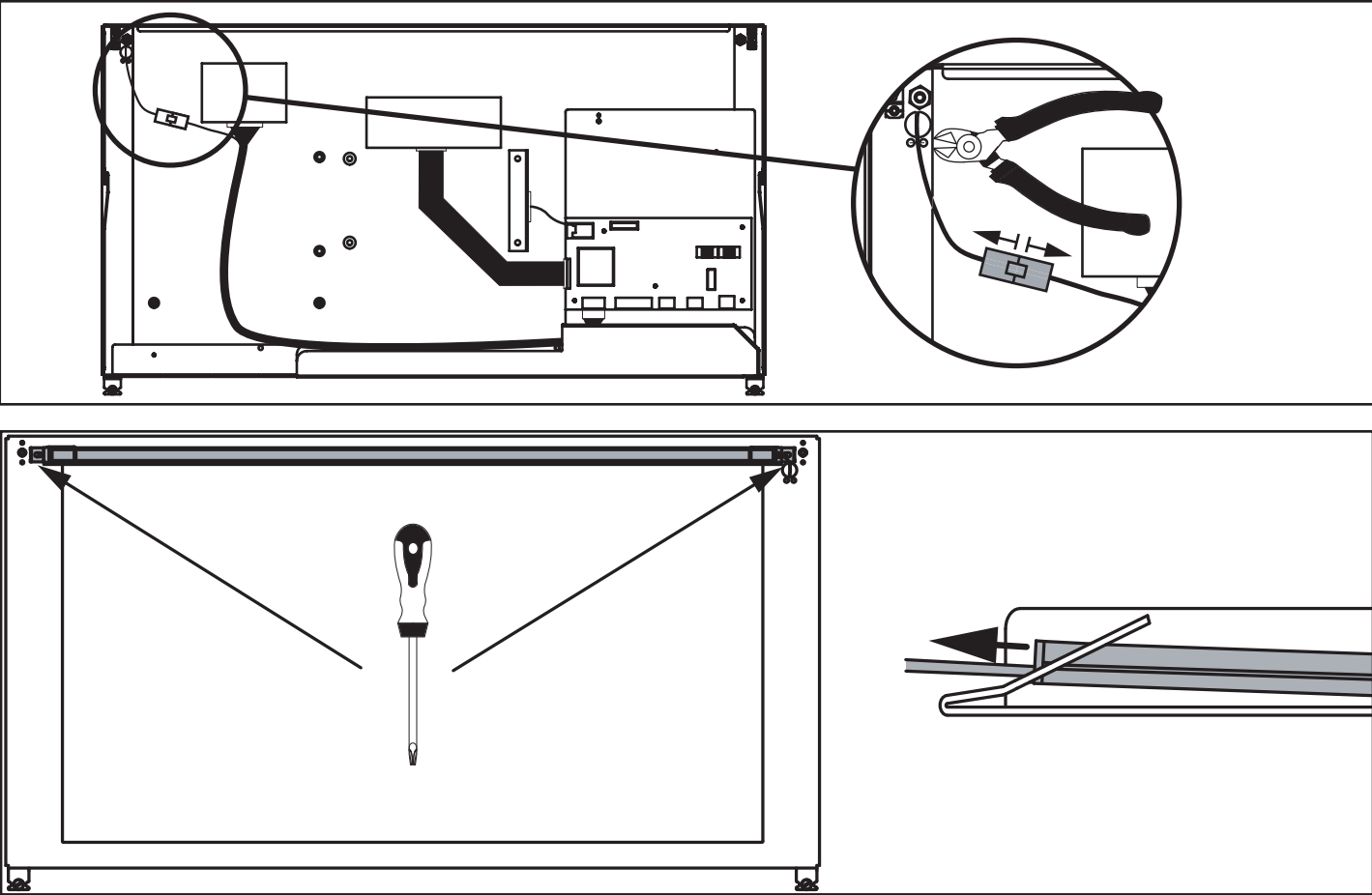
G6 Cleaning/Replacing the LCD screen

ISOLATE THE POWER

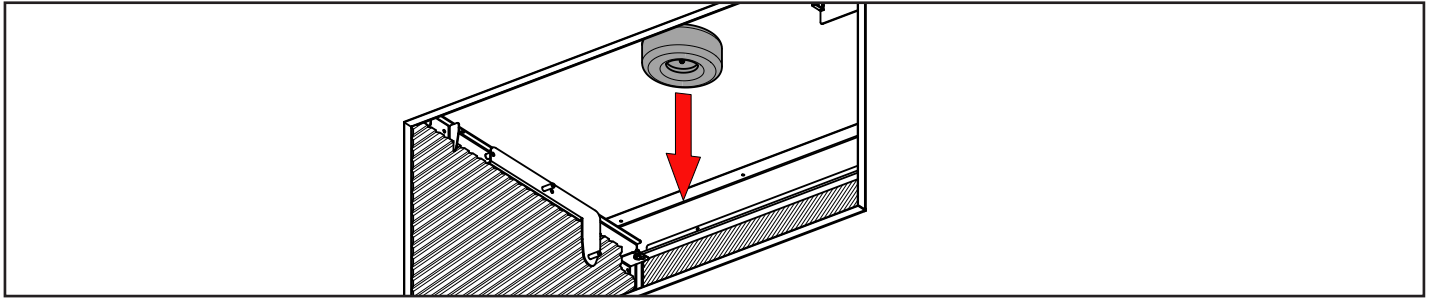




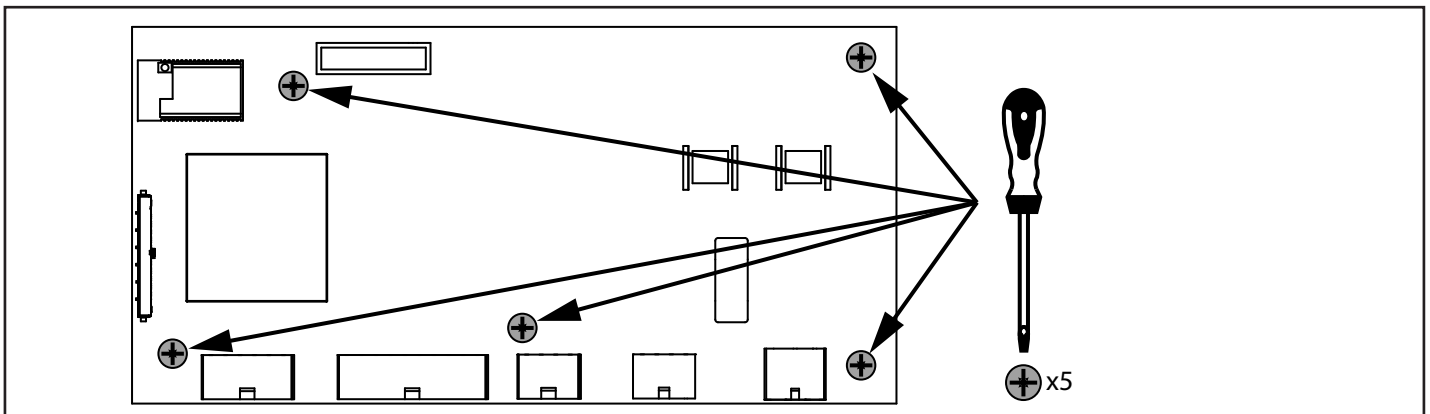
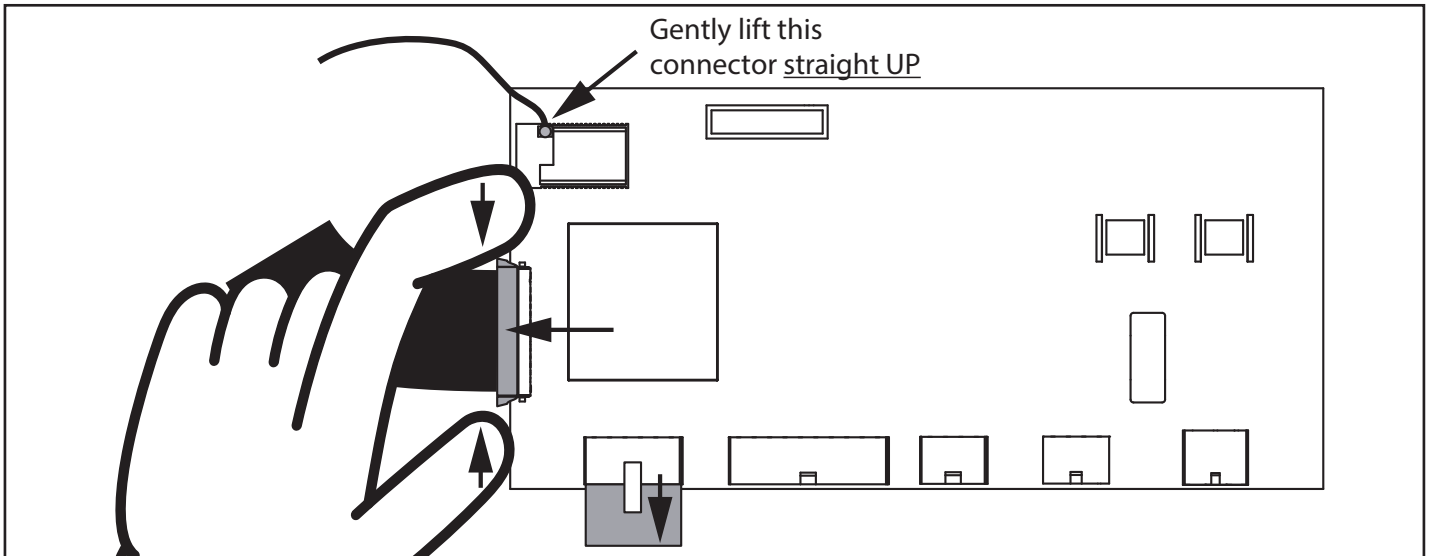
G7 Replacing the LED Downlight



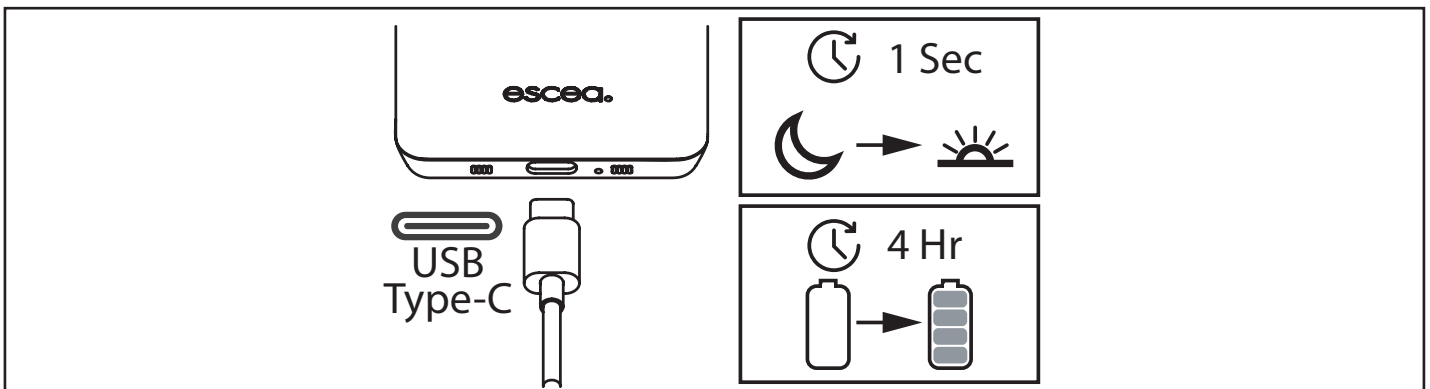
G8 Replacing the Transformer



G9 Replacing the PCB



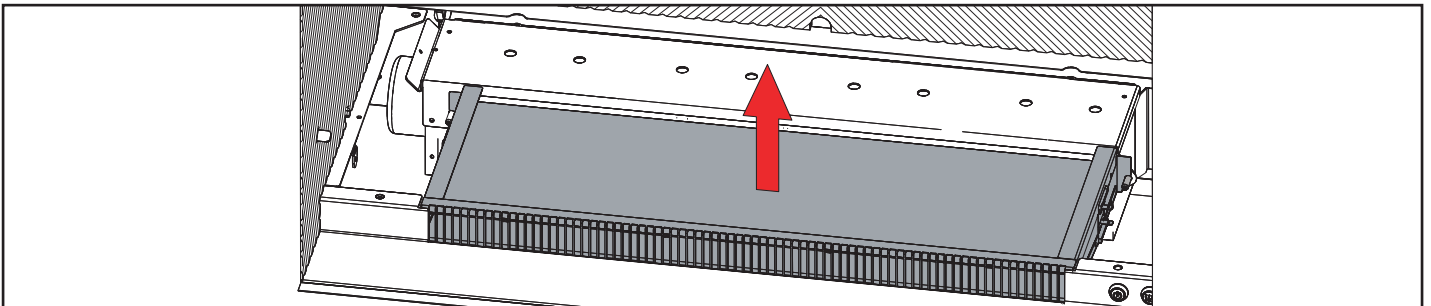
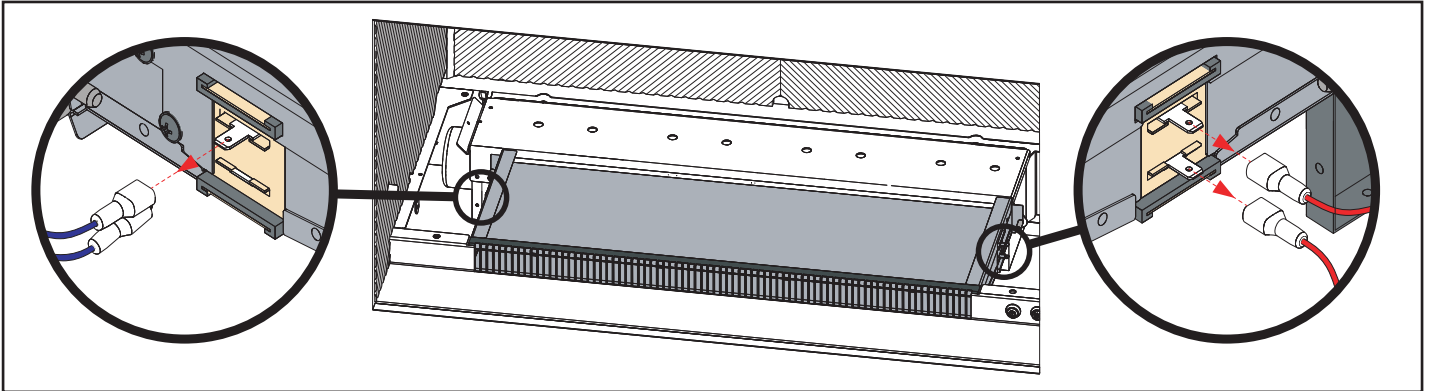
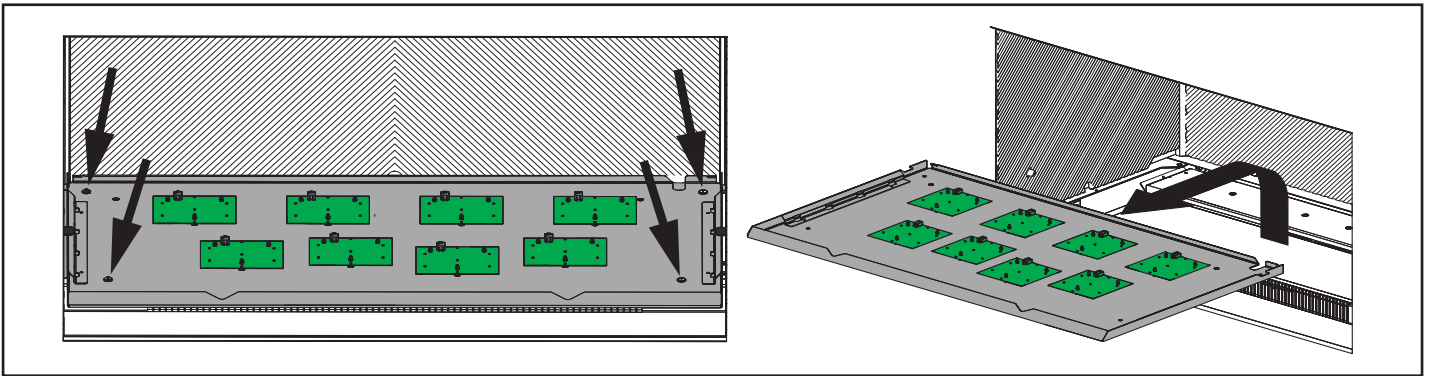
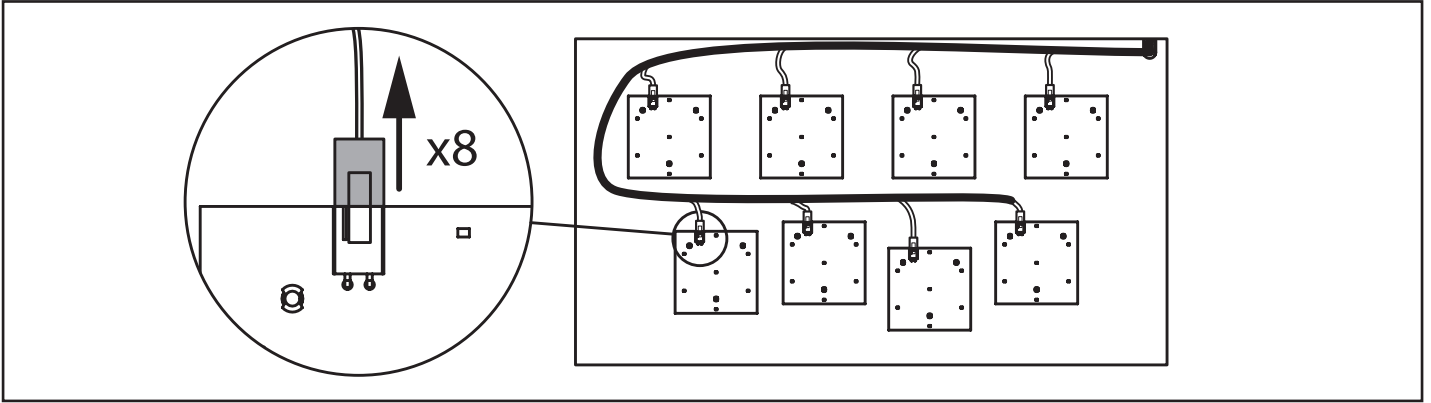
G10 Replacing the Remote

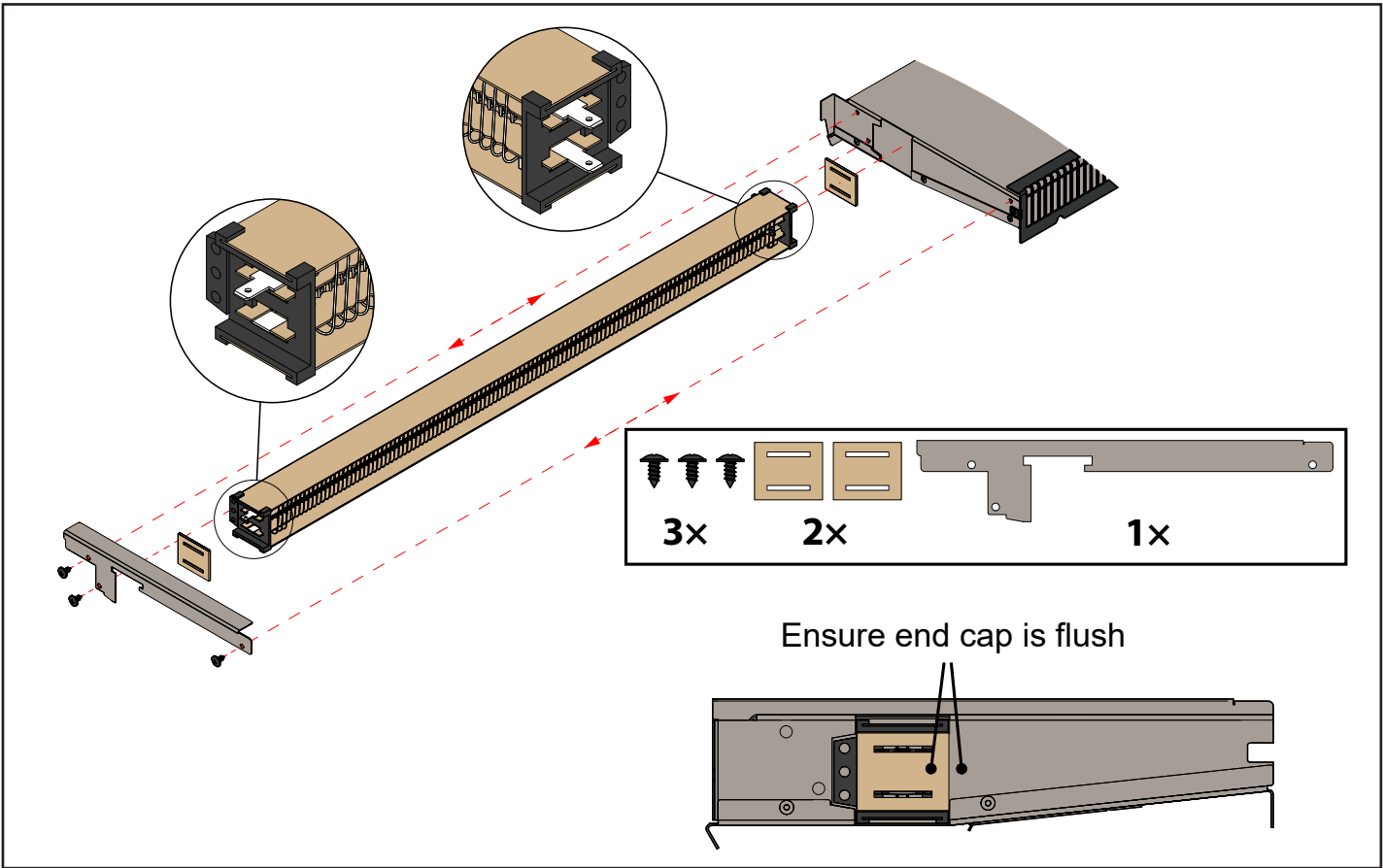
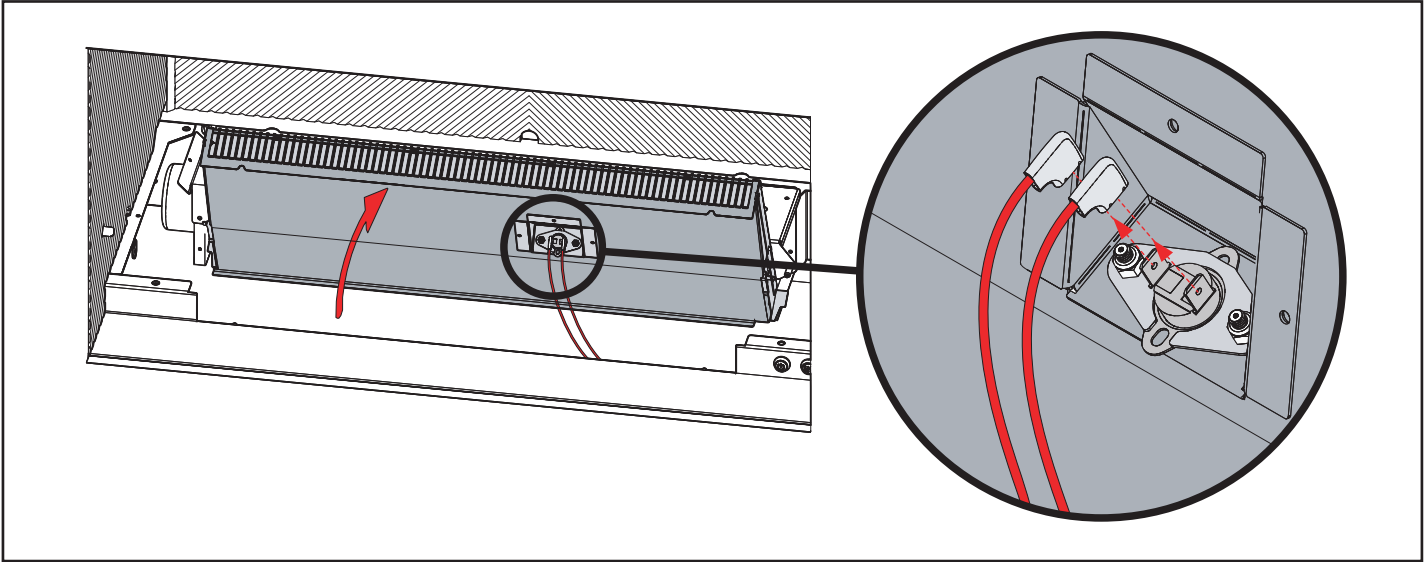


Press: Menu > Advanced > More > Pair Fire

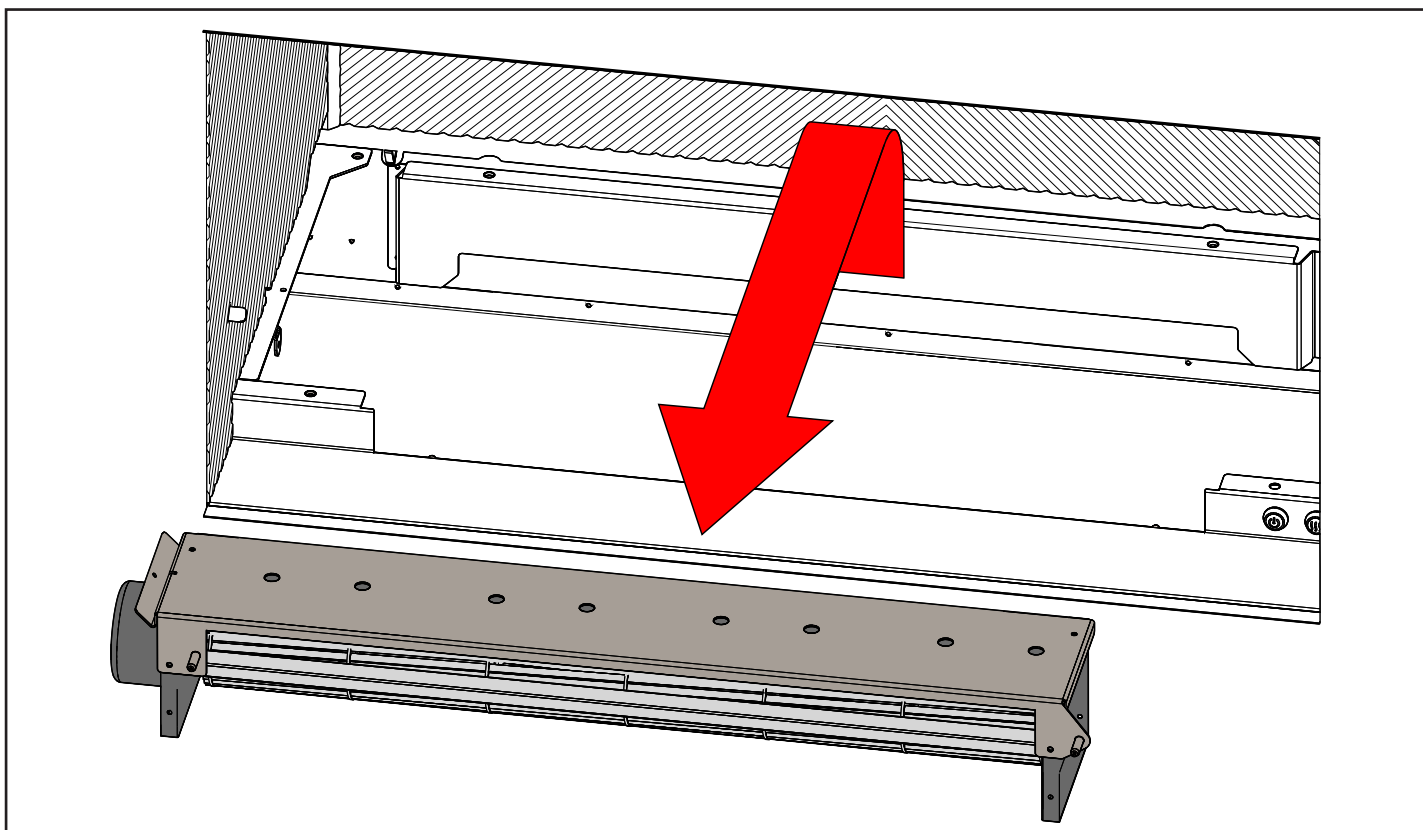
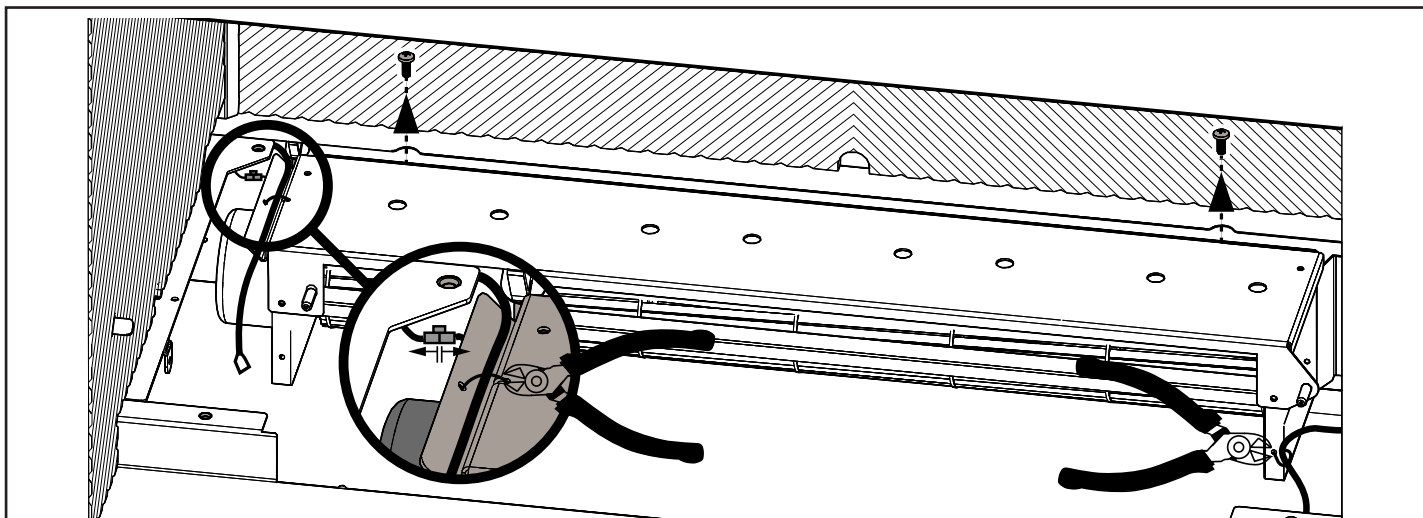
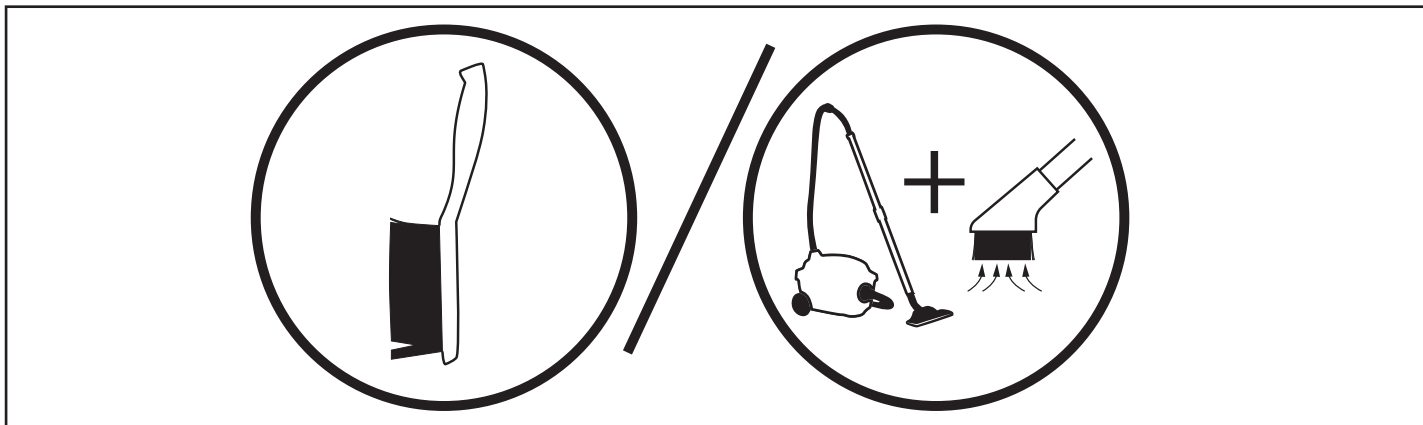
G11 Replacing the Heating Element

ISOLATE THE POWER

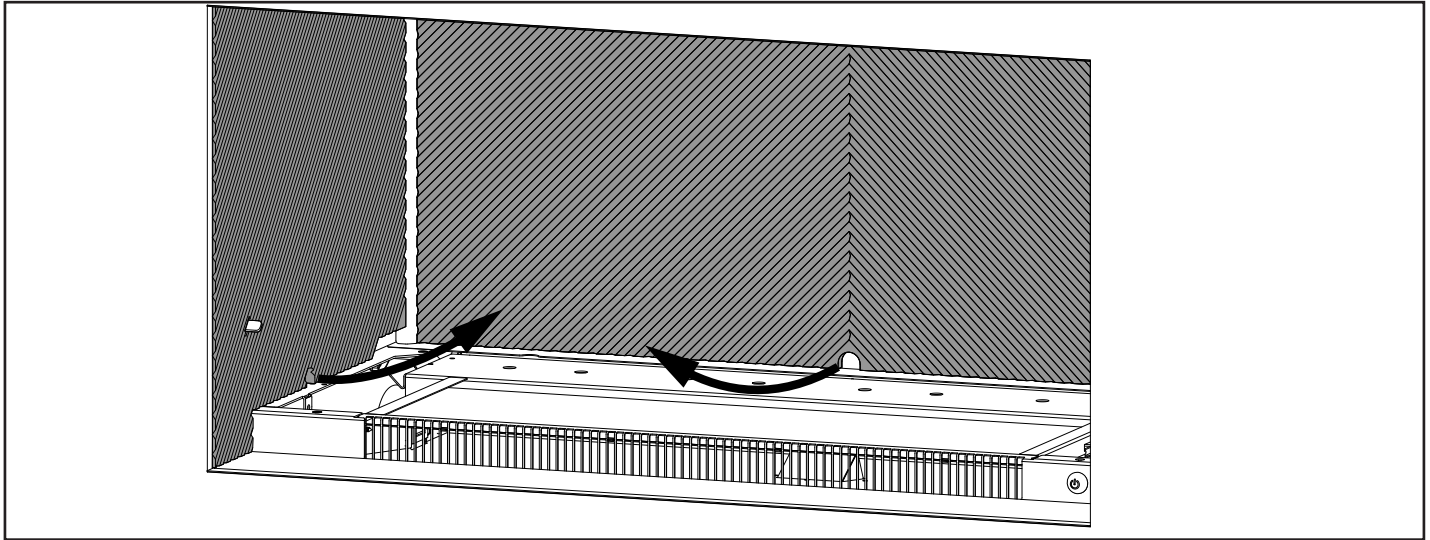




G12 Cleaning/Replacing the Fan



G13 Replacing the Liners



G14 Wiring Diagram

